

Technical Specifications (continued)

Construction

Lens:

Clear tempered glass lens

LED Characteristics

Lifespan:

100,000-hour LED lifespan based on IES LM-80 results and TM-21 calculations.

LEDs:

Multi-chip, high-output, long-life LEDs

Color Uniformity:

RAB's range of CCT (Correlated Color Temperature) follows the guidelines of the American National Standard for Specifications for the Chromaticity of Solid State Lighting (SSL) Products, ANSI C78.377-2017.

Other

10 Yr Limited Warranty:

Fixture operation and paint finish are covered for a period of 10 years.

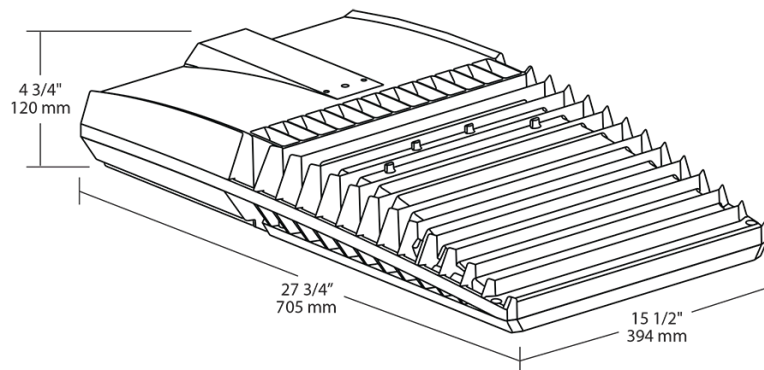
Replacement:

Replaces 400W HPS

Buy American Act Compliance:

RAB values USA manufacturing! Upon request, RAB may be able to manufacture this product to be compliant with the Buy American Act (BAA). Please contact customer service to request a quote for the product to be made BAA compliant.

Dimensions



Features

IP66 Rated

Industry-leading 5G vibration rating per ANSI C136.31

100,000-Hour LED lifespan

10-Year limited warranty

Ordering Matrix

| Family | Distribution | Wattage | Color Temp | Finish | Driver Options | Sensor Options |
|--------|---|--|---|-----------|--|--|
| TBLED | 2T | 240 | | RG | /D10 | /7PR/PCT |
| | 4T = Type IV 3T = Type III 2T = Type II | 240 = 240W 150 = 150W 100 = 100W | Blank = 5000K (Cool) N = 4000K (Neutral) Y = 3000K (Warm) | RG = Gray | /D10 = 0-10V Dimming /480/D10 = 480V, 0-10V Dimming | /7PR = 7 Pin Receptacle /7PR/PCT = 7 Pin Receptacle w/ 120-277V Twistlock Photocell /PCT4 = 480V Twistlock photocell |