



LED roadway lighting that replaces up to 400W Metal Halide. Optics are factory installed and meet IES Distribution Type IV.

Color: Gray

Weight: 36.6 lbs

**Project:**

**Type:**

**Prepared By:**

**Date:**

### Driver Info

Type:	Constant Current
120V:	1.20A
208V:	0.88A
240V:	0.76A
277V:	0.66A
Input Watts:	163W
Efficiency:	92%

### LED Info

Watts:	150W
Color Temp:	5000K
Color Accuracy:	72 CRI
L70 Lifespan:	100000
Lumens:	17,239
Efficacy:	106 LPW

## Technical Specifications

### Listings

#### UL Listing:

Suitable for wet locations as a downlight.

#### DLC Listed:

This product is on the Design Lights Consortium (DLC) Qualified Products List and is eligible for rebates from DLC Member Utilities.

DLC Product Code: PYTFU957

#### IESNA LM-79 & IESNA LM-80 Testing:

RAB LED fixtures have been tested by an independent laboratory in accordance with IESNA LM-79 and 80, and have received the Department of Energy "Lighting Facts" label.

#### Dark Sky Approved:

The International Dark Sky Association has approved this product as a full cutoff, fully shielded luminaire.

### Electrical

#### Driver:

One Driver, Class 2 Constant Current, 100-277VAC, 50-60Hz, 1050mA, <20% TH, 90% pF

#### THD:

4.5% at 120V, 13.6% at 277V

#### Surge Protection:

10KV

### Optical

#### BUG Rating:

B1 U0 G3

### Construction

#### IES Classification:

The Type IV distribution (also known as a Forward Throw) is especially suited for illuminating the perimeter of parking areas and for intersections. It produces a semicircular distribution with essentially the same candlepower at lateral angles from 90° to 270°.

#### IP Rating:

Ingress Protection rating of IP66 for dust and water

#### Vibration Rating:

Industry-leading 5G vibration rating per ANSI C136.31.

#### Ambient Temperature:

Suitable for use in 40°C ambient temperatures.

#### Cold Weather Starting:

The minimum starting temperature is -40°C/-40°F

#### Thermal Management:

Superior thermal management design with external Air-Flow fins provides maximum operational life, even in high ambient temperature environments.

#### Housing:

Die cast aluminum housing, lens frame and mounting arm.

#### Mounting:

Fits most standard roadway upsweep arms. Adaptor brackets supplied fit 1", 1 1/4", 1 1/2" and 2" pole mounting clamps.

#### Recommended Mounting Height:

Up to 35 ft.

#### Effective Projected Area:

EPA = 1.7

#### Reflector:

Specular vacuum-metallized polycarbonate

#### Gaskets:

High temperature silicone gaskets

#### Finish:

Our environmentally friendly polyester powder coatings are formulated for high-durability and long-lasting color, and contains no VOC or toxic heavy metals.

#### Green Technology:

Mercury and UV free. RoHS compliant components. Polyester powder coat finish formulated without the use of VOC or toxic heavy metals.

### LED Characteristics

#### Lifespan:

100,000-hour LED lifespan based on IES LM-80 results and TM-21 calculations.

#### LEDs:

Multi-chip, high-output, long-life LEDs

#### Color Uniformity:

RAB's range of CCT (Correlated Color Temperature) follows the guidelines of the American National Standard for Specifications for the Chromaticity of Solid State Lighting (SSL) Products, ANSI C78.377-2015.

### Other

#### Country of Origin:

Designed by RAB in New Jersey and assembled in the USA by RAB's IBEW Local 3 workers.

## Technical Specifications (continued)

### Other

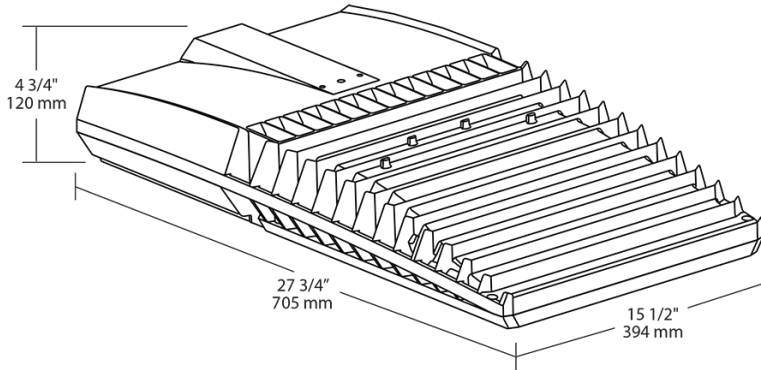
#### Buy American Act Compliant:

This product is a COTS item manufactured in the United States, and is compliant with the Buy American Act.

### GSA Schedule:

Suitable in accordance with FAR Subpart 25.4.

## Dimensions



## Features

- IP66 Rated
- Industry-leading 5G vibration rating per ANSI C136.31
- 100,000-Hour LED lifespan
- 10-Year limited warranty