



LED roadway lighting that replaces up to 400W HPS. Optics are factory installed and meet IES Distribution Type IV.

Color: Gray

Weight: 36.6 lbs

Project:	Type:
Prepared By:	Date:

Driver Info		LED Info	
Type:	Constant Current	Watts:	240W
120V:	N/A	Color Temp:	4000K
208V:	N/A	Color Accuracy:	71 CRI
240V:	N/A	L70 Lifespan:	100000
277V:	N/A	Lumens:	27661
Input Watts:	230W	Efficacy:	120 LPW
Efficiency:	N/A		

Technical Specifications

Listings

UL Listing:

Suitable for wet locations.

IESNA LM-79 & IESNA LM-80 Testing:

RAB LED luminaires have been tested by an independent laboratory in accordance with IESNA LM-79 and 80, and have received the Department of Energy "Lighting Facts" label.

Dark Sky Approved:

The International Dark Sky Association has approved this product as a full cutoff, fully shielded luminaire.

DLC Listed:

This product is on the Design Lights Consortium (DLC) Qualified Products List and is eligible for rebates from DLC Member Utilities.
DLC Product Code: PBPZLNK0

Electrical

Driver:

Constant Current, Class 2, 120-277V, 50/60 Hz, 480V: 0.5A

Dimming Driver:

Driver includes dimming control wiring for 0-10V dimming systems. Requires separate 0-10V DC dimming circuit. Dims as low as 10%.

7-Pin Receptacle:

ANSI C136.41 7-pin receptacle

THD:

7.8% at 480V

Power Factor:

95.8% at 480V

Surge Protection:

10kV

Optical

BUG Rating:

B1 U0 G4

Construction

IES Classification:

The Type IV distribution (also known as a Forward Throw) is especially suited for illuminating the perimeter of parking areas and for intersections. It produces a semicircular distribution with essentially the same candlepower at lateral angles from 90° to 270°.

IP Rating:

Ingress Protection rating of IP66 for dust and water

Vibration Rating:

Industry-leading 5G vibration rating per ANSI C136.31.

Maximum Ambient Temperature:

Suitable for use in 40°C (104°F) ambient temperatures

Cold Weather Starting:

Minimum starting temperature is -40°C (-40°F)

Thermal Management:

Superior thermal management design with external Air-Flow fins provides maximum operational life, even in high ambient temperature environments.

Housing:

Die cast aluminum housing, lens frame and mounting arm.

Mounting:

Fits most standard roadway upsweep arms. Adaptor brackets supplied fit 1", 1 1/4", 1 1/2" and 2" pipe arms. Fixture can be tilted at the following angles: -5°, -2.5°, 0°, 2.5°, and 5°.

Recommended Mounting Height:

Up to 35 ft.

Effective Projected Area:

EPA = 1.7

Reflector:

Vacuum metalized polycarbonate

Gaskets:

High temperature silicone gaskets

Finish:

Formulated for high-durability and long lasting color.

Green Technology:

Mercury and UV free. RoHS compliant components. Polyester powder coat finish formulated without the use of VOC or toxic heavy metals.

Lens:

Clear tempered glass lens

Technical Specifications (continued)

LED Characteristics

Lifespan:

100,000-hour LED lifespan based on IES LM-80 results and TM-21 calculations.

LEDs:

Multi-chip, high-output, long-life LEDs

Color Uniformity:

RAB's range of CCT (Correlated Color Temperature) follows the guidelines of the American National Standard for Specifications for the Chromaticity of Solid State Lighting (SSL) Products, ANSI C78.377-2017.

Other

10 Yr Limited Warranty:

Fixture operation and paint finish are covered for a period of 10 years.

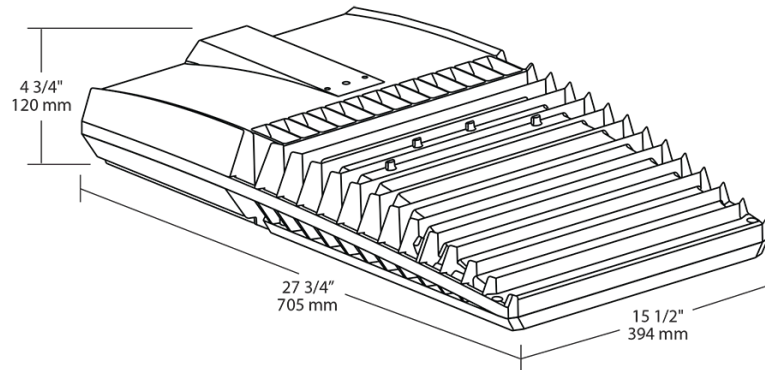
Replacement:

Replaces 400W HPS

Buy American Act Compliance:

RAB values USA manufacturing! Upon request, RAB may be able to manufacture this product to be compliant with the Buy American Act (BAA). Please contact customer service to request a quote for the product to be made BAA compliant.

Dimensions



Features

IP66 Rated

Industry-leading 5G vibration rating per ANSI C136.31

100,000-Hour LED lifespan

10-Year limited warranty

Ordering Matrix

Family	Distribution	Wattage	Color Temp	Finish	Driver Options	Sensor Options
TBLED	4T	240	N	RG	/480/D10	/7PR
	4T = Type IV 3T = Type III 2T = Type II	240 = 240W 150 = 150W 100 = 100W	Blank = 5000K (Cool) N = 4000K (Neutral) Y = 3000K (Warm)	RG = Gray	/D10 = 0-10V Dimming /480/D10 = 480V, 0-10V Dimming	/7PR = 7 Pin Receptacle /7PR/PCT = 7 Pin Receptacle w/ 120-277V Twistlock Photocell /PCT4 = 480V Twistlock photocell