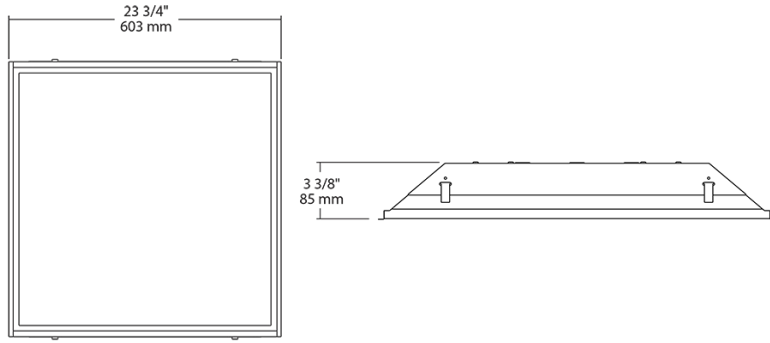


Dimensions



Features

- High efficiency, low maintenance alternative to fluorescent
- Prismatic lens with diffusion for enhanced optical performance
- 0-10V dimming standard on all models
- Emergency battery backup to provide emergency lighting when power is lost
- Optional recessed mounting kit available
- 100,000-hour LED lifespan
- 5-Year warranty

Ordering Matrix

Family	Size	Watts	Color Temp	Dimming	Battery Backup
TRLED	2X2 = 2' x 2'	37 = 37W 50 = 50W	Y = 3000K (Warm) YN = 3500K (Warm Neutral) N = 4000K (Neutral)	/D10 = Dimmable	/E = 120-277V Battery Backup