



<b>Project:</b>	<b>Type:</b>
<b>Prepared By:</b>	<b>Date:</b>

Driver Info		LED Info	
Type:	Constant Current	Watts:	50W
120V:	0.42A	Color Temp:	3500K
208V:	0.25A	Color Accuracy:	84 CRI
240V:	0.22A	L70 Lifespan:	100000
277V:	0.19A	Lumens:	4,210
Input Watts:	50W	Efficacy:	84 LPW
Efficiency:	N/A		

**Technical Specifications**

**Listings**

**UL Listing:**

Suitable for damp locations

**IESNA LM-79 & LM-80 Testing:**

RAB LED luminaires have been tested by an independent laboratory in accordance with IESNA LM-79 and LM-80, and have received the Department of Energy "Lighting Facts" label.

**Electrical**

**Driver:**

Constant Current, Class 2, 4-channel driver with 0-10V dimming, 450mA, 120-277VAC 0.55A, Power Factor >92%

**Dimming Driver:**

Driver includes dimming control for 0-10V dimming systems. Requires separate 0-10V DC dimming circuit. Dims as low as 5%.

**THD:**

10.9% at 120V, 14.4% at 277V

**Construction**

**Lens:**

Nominal .125" thick prismatic acrylic lens with diffusion for enhanced optical performance

**IC Rating:**

Suitable for insulated ceilings

**Housing:**

Die-formed 22 gauge, cold-rolled steel

**Installation:**

Standard integral earthquake and NEC T-bar clips secure the fixture to T-bars and prevent T-system separation. For recessed mounting kit see

**Finish:**

High-reflectance (91%) powder coat applied post production for a more durable finish

**Green Technology:**

Mercury and UV free. RoHS compliant components. Polyester powder coat finish formulated without the use of VOC or toxic heavy metals.

**LED Characteristics**

**LEDs:**

Long-life, high-efficiency, micro-power, surface mount LEDs; binned and mixed for uniform light output and color.

**Lifespan:**

100,000-hour LED lifespan based on IES LM-80 results and TM-21 calculations.

**Color Stability:**

LED Color temperature is warranted to shift no more than 200K in CCT over a 5 year period.

**Other**

**TRLED2X2-50 with Battery Backup:**

Battery backup will operate the LED lamp for 90 minutes if power fails. Wired for 120-277V.

**California Title 24:**

TRLED2X2-50YN/D10 complies with 2013 California Title 24 building and electrical codes as a commercial indoor fixture for general spaces when used with a vacancy sensor and 0-10V dimming control. Select a vacancy sensor using catalog number LVS800. 0-10V dimmer provided by others.

**Country of Origin:**

Designed by RAB in New Jersey and assembled in the USA by RAB's IBEW Local 3 workers.

**Buy American Act Compliant:**

This product is a COTS item manufactured in the United States, and is compliant with the Buy American Act.

**Recovery Act (ARRA) Compliant:**

This product complies with the 52.225-21 "Required Use of American Iron, Steel, and Manufactured Goods-- Buy American Act-- Construction Materials (October 2010).

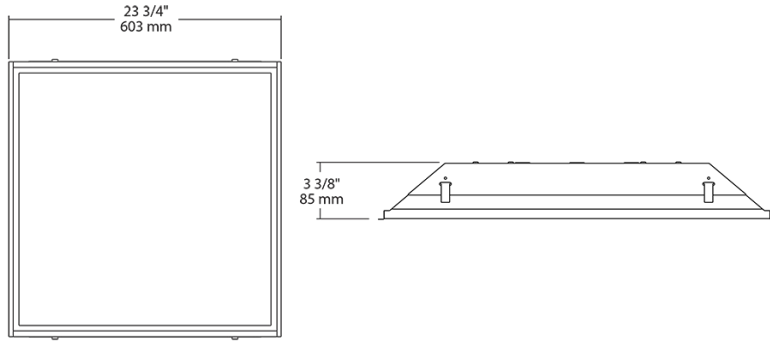
**Trade Agreements Act Compliant:**

This product is a COTS item manufactured in the United States, and is compliant with the Trade Agreements Act.

**GSA Schedule:**

Suitable in accordance with FAR Subpart 25.4.

**Dimensions**



**Features**

- High efficiency, low maintenance alternative to fluorescent
- Prismatic lens with diffusion for enhanced optical performance
- 0-10V dimming standard on all models
- Emergency battery backup to provide emergency lighting when power is lost
- Optional recessed mounting kit available
- 100,000-hour LED lifespan
- 5-Year warranty

**Ordering Matrix**

Family	Size	Watts	Color Temp	Dimming	Battery Backup
TRLED	2X2 = 2' x 2'	37 = 37W 50 = 50W	Y = 3000K (Warm) YN = 3500K (Warm Neutral) N = 4000K (Neutral)	/D10 = Dimmable	/E = 120-277V Battery Backup