



<b>Project:</b>	<b>Type:</b>
<b>Prepared By:</b>	<b>Date:</b>

Driver Info		LED Info	
Type:	Constant Current	Watts:	50W
120V:	0.42A	Color Temp:	4000K
208V:	0.25A	Color Accuracy:	83 CRI
240V:	0.22A	L70 Lifespan:	100000
277V:	0.19A	Lumens:	4,233
Input Watts:	50W	Efficacy:	85 LPW
Efficiency:	N/A		

### Technical Specifications

#### Listings

##### UL Listing:

Suitable for damp locations

##### IESNA LM-79 & LM-80 Testing:

RAB LED luminaires have been tested by an independent laboratory in accordance with IESNA LM-79 and LM-80, and have received the Department of Energy "Lighting Facts" label.

##### DLC Listed:

This product is on the Design Lights Consortium (DLC) Qualified Products List and is eligible for rebates from DLC Member Utilities.

#### Electrical

##### Driver:

Constant Current, Class 2, 4-channel driver with 0-10V dimming, 450mA, 120-277VAC 0.55A, Power Factor >92%

##### Dimming Driver:

Driver includes dimming control for 0-10V dimming systems. Requires separate 0-10V DC dimming circuit. Dims as low as 5%.

##### THD:

10.9% at 120V, 13.9% at 277V

#### Construction

##### Lens:

Nominal .125" thick prismatic acrylic lens with diffusion for enhanced optical performance

##### IC Rating:

Suitable for insulated ceilings

##### Housing:

Die-formed 22 gauge, cold-rolled steel

##### Installation:

Standard integral earthquake and NEC T-bar clips secure the fixture to T-bars and prevent T-system separation. For recessed mounting kit see

##### Finish:

High-reflectance (91%) powder coat applied post production for a more durable finish

##### Green Technology:

Mercury and UV free. RoHS compliant components. Polyester powder coat finish formulated without the use of VOC or toxic heavy metals.

#### LED Characteristics

##### LEDs:

Long-life, high-efficiency, micro-power, surface mount LEDs; binned and mixed for uniform light output and color.

##### Lifespan:

100,000-hour LED lifespan based on IES LM-80 results and TM-21 calculations.

##### Color Stability:

LED Color temperature is warranted to shift no more than 200K in CCT over a 5 year period.

#### Other

##### TRLED2X4-50 with Battery Backup:

Battery backup will operate the LED lamp for 90 minutes if power fails. Wired for 120-277V.

##### California Title 24:

TRLED2X4-50N/D10 complies with 2013 California Title 24 building and electrical codes as a commercial indoor fixture for general spaces when used with a vacancy sensor and 0-10V dimming control. Select a vacancy sensor using catalog number LVS800. 0-10V dimmer provided by others.

##### Country of Origin:

Designed by RAB in New Jersey and assembled in the USA by RAB's IBEW Local 3 workers.

##### Buy American Act Compliant:

This product is a COTS item manufactured in the United States, and is compliant with the Buy American Act.

##### Recovery Act (ARRA) Compliant:

This product complies with the 52.225-21 "Required Use of American Iron, Steel, and Manufactured Goods-- Buy American Act-- Construction Materials (October 2010).

##### Trade Agreements Act Compliant:

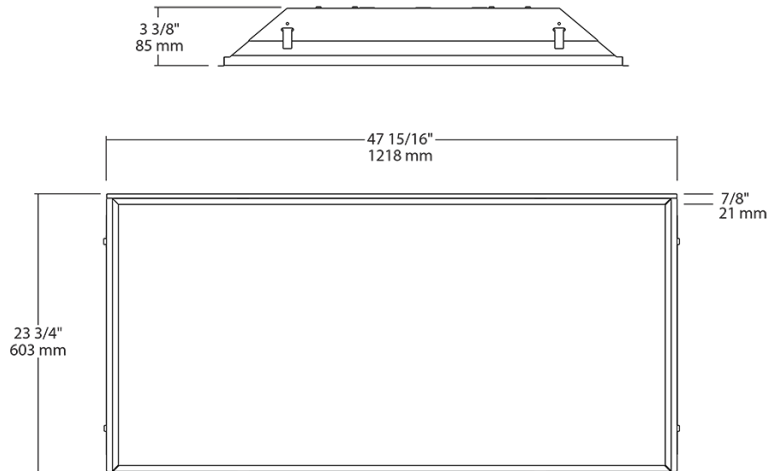
This product is a COTS item manufactured in the United States, and is compliant with the Trade Agreements Act.

##### GSA Schedule:

Suitable in accordance with FAR Subpart 25.4.

# TRLED2X4-50N/D10/E

## Dimensions



## Features

- High efficiency, low maintenance alternative to fluorescent
- Prismatic lens with diffusion for enhanced optical performance
- 0-10V dimming standard on all models
- Emergency battery backup to provide emergency lighting when power is lost
- Optional recessed mounting kit available
- 100,000-hour LED lifespan
- 5-Year warranty

## Ordering Matrix

Family	Size	Watts	Color Temp	Dimming	Battery Backup
TRLED	2X4 = 2' x 4'	37 = 37W 50 = 50W	Y = 3000K (Warm) YN = 3500K (Warm Neutral) N = 4000K (Neutral)	/D10 = Dimmable	/E = 120-277V Battery Backup