

TSLED2- 28N/D10/US/BL/E2



TSLED can be ceiling or wall mounted. Offered with several optional features that are ideal for stairwell applications and enable compliance with the NFPA 101: Life Safety Code® including: ultrasonic motion sensor, bi-level dimmer, emergency battery backup, Lightcloud™ Controller

Color: White

Weight: 9.6 lbs

Project:

Type:

Prepared By:

Date:

Driver Info

Type:	Constant
120V:	0.24A
208V:	0.14A
240V:	0.13A
277V:	0.10A
Input Watts:	28W
Efficiency:	N/A

LED Info

Watts:	28W
Color Temp:	4000K
Color Accuracy:	84 CRI
L70 Lifespan:	100000
Lumens:	2,998
Efficacy:	107 LPW

Technical Specifications

Listings

UL Listing:

Suitable for damp locations

DLC Listed:

This product is on the Design Lights Consortium (DLC) Qualified Products List and is eligible for rebates from DLC Member Utilities.

DLC Product Code: PUZZM37Q

IESNA LM-79 & IESNA LM-80 Testing:

RAB LED luminaires have been tested by an independent laboratory in accordance with IESNA LM-79 and 80, and have received the Department of Energy "Lighting Facts" label.

Electrical

Driver:

Constant Current, Class 2, 100-277V, 50/60 Hz., 2KV surge protection, 120V: 0.24A, 208V: 0.14A, 240V: 0.13A, 277V: 0.10A

Dimming Driver:

Driver includes dimming control for 0-10V dimming systems. Requires separate 0-10V DC dimming circuit. Dims as low as 10%.

Emergency Battery Backup:

Battery backup will operate the LED Lamp for 90 minutes if power fails. Wired for 120V-277V.

THD:

15.8% at 120V, 20.9% at 277V

Power Factor:

97.6% at 120V, 94.8% at 277V

LED Characteristics

LEDs:

Long-life, high-efficiency surface mount LEDs

Lifespan:

100,000-hour LED lifespan based on IES LM-80 results and TM-21 calculations.

Color Stability:

LED color temperature is warranted to shift no more than 200K in CCT over a 5 year period.

Color Uniformity:

RAB's range of CCT (Correlated Color Temperature) follows the guidelines of the American National Standard for Specifications for the Chromaticity of Solid State Lighting (SSL) Products, ANSI C78.377-2011.

Construction

Maximum Ambient Temperature:

Suitable for use in 40°C (104°F) ambient temperatures

Housing:

Die-formed, 20 gauge, cold-rolled, post-painted steel (white)

Lens:

Soft-glow acrylic lens reduces glare and has smooth and even light distribution

Reflector:

High-reflectance white steel

Mounting:

Surface mount, ceiling or wall. Knockouts on sides and back.

Finish:

Our environmentally friendly polyester powder coatings are formulated for high-durability and long-lasting color, and contains no VOC or toxic heavy metals.

Green Technology:

Mercury and UV free. RoHS compliant components. Polyester powder coat finish formulated without the use of VOC or toxic heavy metals.

Other

Bi-Level:

Allows 25%, 50% or 75% output modes.

Ultrasonic Sensor:

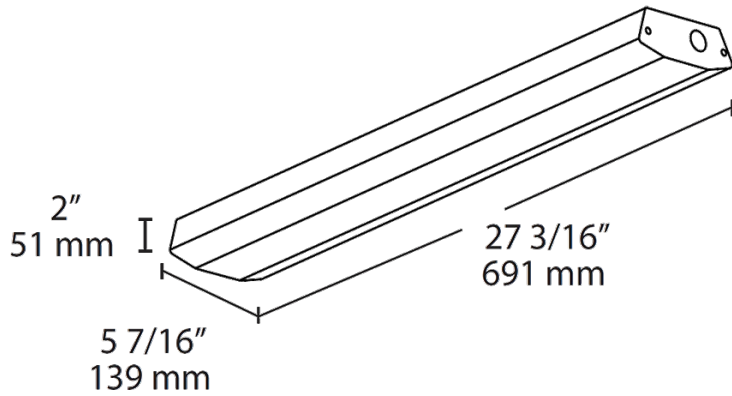
Detects the presence of people by sending ultrasonic sound waves and measuring frequency changes caused by movement. They cover the entire space and don't need a line of sight. As a result, they can detect people behind obstacles and are ideal for stairwells in which a line sight is not always possible, and higher levels of sensitivity are required.

Warranty:

RAB warrants that our LED products will be free from defects in materials and workmanship for a period of five (5) years from the date of delivery to the end user, including coverage of light output, color stability, driver performance and fixture finish.

TSLED2- 28N/D10/US/BL/E2

Dimensions



Features

- Diffused lens for smooth light distribution
- 0-10V dimming driver, standard
- 100,000-Hour LED lifespan
- 5 year warranty

Ordering Matrix

Family	Length	Wattage	Color Temp	Dimming	Sensor	Bi-Level	Battery Backup
TSLED	2	28	N	/D10	/US	/BL	/E2
	2 = 2 ft	28 = 28W	Blank = 5000K (Cool) N = 4000K (Neutral) YN = 3500K (Warm Neutral) Y = 3000K (Warm)	/D10 = Dimmable	Blank = No Sensor /US = Ultrasonic Sensor	Blank = No Bi-Level /BL = Bi-Level	Blank = No Battery Backup /E2 = 120-277V Backup