

# TSLED4- 36YN/D10/US/BL/E2



TSLED can be ceiling or wall mounted. Offered with several optional features that are ideal for stairwell applications and enable compliance with the NFPA 101: Life Safety Code® including: ultrasonic motion sensor, bi-level dimmer, emergency battery backup, Lightcloud™ Controller

Color: White

Weight: 15.0 lbs

**Project:**

**Type:**

**Prepared By:**

**Date:**

#### Driver Info

|              |          |
|--------------|----------|
| Type:        | Constant |
| 120V:        | 0.30A    |
| 208V:        | 0.18A    |
| 240V:        | 0.15A    |
| 277V:        | 0.14A    |
| Input Watts: | 35W      |
| Efficiency:  | N/A      |

#### LED Info

|                 |         |
|-----------------|---------|
| Watts:          | 36W     |
| Color Temp:     | 3500K   |
| Color Accuracy: | 83 CRI  |
| L70 Lifespan:   | 100000  |
| Lumens:         | 3,926   |
| Efficacy:       | 112 LPW |

## Technical Specifications

### Listings

#### UL Listing:

Suitable for damp locations

#### DLC Listed:

This product is listed by Design Lights Consortium (DLC) as an ultra-efficient premium product that qualifies for the highest tier of rebates from DLC Member Utilities.

DLC Product Code: PDGM7361

#### IESNA LM-79 & IESNA LM-80 Testing:

RAB LED luminaires have been tested by an independent laboratory in accordance with IESNA LM-79 and 80, and have received the Department of Energy "Lighting Facts" label.

### Electrical

#### Driver:

Constant Current, Class 2, 100-277V, 50/60 Hz., 2KV surge protection, 120V: 0.30A, 208V: 0.18A, 240V: 0.15A, 277V: 0.14A

#### Dimming Driver:

Driver includes dimming control for 0-10V dimming systems. Requires separate 0-10V DC dimming circuit. Dims as low as 10%.

#### Emergency Battery Backup:

Battery backup will operate the LED Lamp for 90 minutes if power fails. Wired for 120V-277V.

### LED Characteristics

#### LEDs:

Long-life, high-efficiency surface mount LEDs

#### Lifespan:

100,000-hour LED lifespan based on IES LM-80 results and TM-21 calculations.

#### Color Stability:

LED color temperature is warranted to shift no more than 200K in CCT over a 5 year period.

#### Color Uniformity:

RAB's range of CCT (Correlated Color Temperature) follows the guidelines of the American National Standard for Specifications for the Chromaticity of Solid State Lighting (SSL) Products, ANSI C78.377-2011.

### Construction

#### Maximum Ambient Temperature:

Suitable for use in 40°C (104°F) ambient temperatures

#### Housing:

Die-formed, 20 gauge, cold-rolled, post-painted steel (white)

#### Lens:

Soft-glow acrylic lens reduces glare and has smooth and even light distribution

#### Reflector:

High-reflectance white steel

#### Mounting:

Surface mount, ceiling or wall. Knockouts on sides and back.

#### Finish:

Our environmentally friendly polyester powder coatings are formulated for high-durability and long-lasting color, and contains no VOC or toxic heavy metals.

#### Green Technology:

Mercury and UV free. RoHS compliant components. Polyester powder coat finish formulated without the use of VOC or toxic heavy metals.

### Other

#### Bi-Level:

Allows 25%, 50% or 75% output modes.

#### Ultrasonic Sensor:

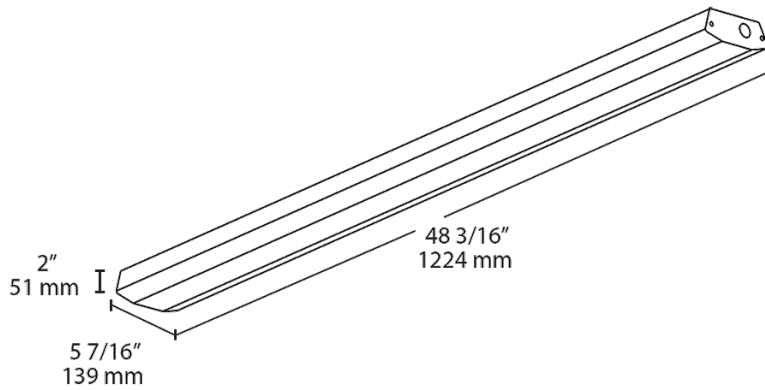
Detects the presence of people by sending ultrasonic sound waves and measuring frequency changes caused by movement. They cover the entire space and don't need a line of sight. As a result, they can detect people behind obstacles and are ideal for stairwells in which a line sight is not always possible, and higher levels of sensitivity are required.

#### Warranty:

RAB warrants that our LED products will be free from defects in materials and workmanship for a period of five (5) years from the date of delivery to the end user, including coverage of light output, color stability, driver performance and fixture finish.

# TSLED4- 36YN/D10/US/BL/E2

## Dimensions



## Features

- Diffused lens for smooth light distribution
- 0-10V dimming driver, standard
- 100,000-Hour LED lifespan
- 5 year warranty

## Ordering Matrix

| Family | Length   | Wattage  | Color Temp   | Dimming         | Sensor                                       | Bi-Level                              | Battery Backup                                     |
|--------|----------|----------|--|-----------------|--|---------------------------------------|--|
| TSLED  | 4        | 36       | YN   | /D10            | /US  | /BL                                   | /E2  |
|        | 4 = 4 ft | 36 = 36W | Blank = 5000K (Cool)<br>N = 4000K (Neutral)<br>YN = 3500K (Warm Neutral)<br>Y = 3000K (Warm) | /D10 = Dimmable | Blank = No Sensor<br>/US = Ultrasonic Sensor | Blank = No Bi-Level<br>/BL = Bi-Level | Blank = No Battery Backup<br>/E2 = 120-277V Backup |