



Low-profile vandalproof fixture replaces traditional incandescent luminaires delivering impressive energy savings.

Color: White

Weight: 1.2 lbs

**Project:**

**Type:**

**Prepared By:**

**Date:**

#### Driver Info

Type: Constant Current  
 120V: 0.103A  
 208V: N/A  
 240V: N/A  
 277V: N/A  
 Input Watts: 12W  
 Efficiency: N/A

#### LED Info

Watts: 12W  
 Color Temp: 4000K  
 Color Accuracy: 83 CRI  
 L70 Lifespan: 50000  
 Lumens: 1,464  
 Efficacy: 124 LPW

## Technical Specifications

### Listings

#### UL Listing:

Suitable for Wet Locations. Covered Ceiling Mount Only.

#### DLC Listed:

This product is on the Design Lights Consortium (DLC) Qualified Products List and is eligible for rebates from DLC Member Utilities.

DLC Product Code: P84918K1

#### IESNA LM-79 & LM-80 Testing:

RAB LED luminaires have been tested by an independent laboratory in accordance with IESNA LM-79 and LM-80, and have received the Department of Energy "Lighting Facts" label.

### Electrical

#### Driver:

AC board, 50/60 Hz., 120V: 103 mA

#### Dimmer Compatibility:

TRIAC/ELV dimming capable.

#### THD:

11.1% at 120V

#### Power Factor:

99.4% at 120V

#### Surge Protection:

2.5KV

### Construction

#### Cold Weather Starting:

The minimum starting temperature is -22°F (-30° C).

#### Ambient Temperature:

Suitable for use in 113°F (45°C) ambient temperatures.

#### Housing:

Precision steel housing

#### Mounting:

Ceiling mount to recessed junction with knockout template. Tamperproof screws.

#### Lens:

Vandalproof, frosted polycarbonate drop lens

#### Gaskets:

High-temperature silicone gaskets

#### Finish:

Our environmentally friendly polyester powder coatings are formulated for high-durability and long-lasting color, and contain no VOC or toxic heavy metals.

#### Green Technology:

Mercury and UV free. RoHS compliant components. Polyester powder coat finish formulated without the use of VOC or toxic heavy metals.

### LED Characteristics

#### Lifespan:

50,000-hour LED lifespan based on IES LM-80 results and TM-21 calculations.

#### LEDs:

120V long-lfe LEDs

#### Color Stability:

RAB LEDs exceed industry standards for chromatic stability.

#### Color Uniformity:

RAB's range of CCT (Correlated Color Temperature) follows the guidelines of the American National Standard for Specifications for the Chromaticity of Solid State Lighting (SSL) Products, ANSI C78.377-2015.

### Other

#### Optional Sensor:

VAN1LED is compatible with occupancy sensors.

#### Equivalency:

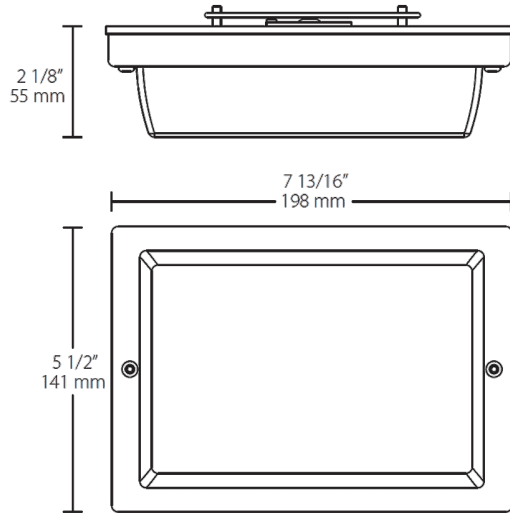
Equivalent to 100 watt incandescent lamp

#### Warranty:

RAB warrants that our LED products will be free from defects in materials and workmanship for a period of five (5) years from the date of delivery to the end user, including coverage of light output, color stability, driver performance and fixture finish. See our full warranty

# VAN1LED12NW

## Dimensions



## Features

- Vandalproof polycarbonate drop lens
- Ultra efficiency
- Low-profile design

## Ordering Matrix

Family	Watts	Color Temp	Finish
VAN1LED	12	N	W
	12 = 12W 6 = 6W	Blank = 5000K (Cool) N = 4000K (Neutral) Y = 3000K (Warm)	W = White