



VAN5 12" x 12" Emergency Battery Backup. 2x 32W CFL or 2x 42W CFL. Available in 120V or 277 volts. Emergency battery operates only one lamp. Lamp supplied.

Color: N/A

Weight: 12.2 lbs

<b>Project:</b>	<b>Type:</b>
<b>Prepared By:</b>	<b>Date:</b>

Lamp Info		Ballast Info	
Type:	2-32W Triple	Type:	Elec HPF QT
Watts:	64W	120V:	0.57A
Shape/Size:	N/A	208V:	N/A
Base:	N/A	240V:	N/A
ANSI:	N/A	277V:	N/A
Hours:	12,000	Input Watts:	36W
Lamp Lumens:	4,800		
Efficacy:	133 LPW		

## Technical Specifications

### Electrical

#### Emergency Battery Backup:

Bodine "Coldpak" will operate the CFL lamp for 90 minutes if power fails. Rated -20°C to 55°C. Battery is a maintenance free NiCad with 7 - 10 year life. Wired for 120V.

#### Listings

#### UL Listing:

Suitable for wet locations. Fixtures can be wired with 90°C supply wiring if supply wires are routed 3" away from ballast.

#### Optical

#### Refractor:

Injection molded polycarbonate, designed for maximum structural strength.

#### Other

#### Patents:

Pat. D547,484.

#### Country of Origin:

Designed by RAB in New Jersey and assembled in the USA by RAB's IBEW Local 3 workers.

#### Buy American Act Compliant:

This product is a COTS item manufactured in the United States, and is compliant with the Buy American Act.

#### Recovery Act (ARRA) Compliant:

This product complies with the 52.225-21 "Required Use of American Iron, Steel, and Manufactured Goods-- Buy American Act-- Construction Materials (October 2010).

#### Trade Agreements Act Compliant:

This product is a COTS item manufactured in the United States, and is compliant with the Trade Agreements Act.

#### GSA Schedule:

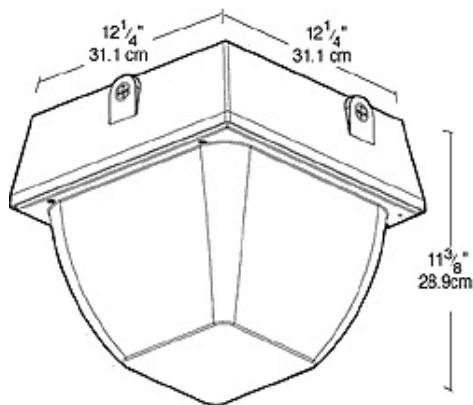
Suitable in accordance with FAR Subpart 25.4.

#### Construction

#### Ballast Minimum Starting Temperature:

0°F .

## Dimensions



## Features

- Vertical lamp for better light disbursement and heat dissipation
- Tough polycarbonate refractors and Die cast aluminum housings
- Both Vandal proof Center Pin Torx and slotted Phillips head screws supplied