



Low-profile vandal-resistant fixture covers the footprint of most traditional canopy lights. Available in flat or drop lens with frosted and unfrosted options.

Color: Bronze

Weight: 11.8 lbs

Project:

Type:

Prepared By:

Date:

Driver Info

Type: Constant Current
 120V: 0.60A
 208V: N/A
 240V: N/A
 277V: N/A
 Input Watts: 38W
 Efficiency: N/A

LED Info

Watts: 40W
 Color Temp: 5000K
 Color Accuracy: 78 CRI
 L70 Lifespan: 100000
 Lumens: 4516
 Efficacy: 119 LPW

Technical Specifications

Listings

UL Listing:

Suitable for wet locations.

IESNA LM-79 & LM-80 Testing:

RAB LED luminaires have been tested by an independent laboratory in accordance with IESNA LM-79 and LM-80, and have received the Department of Energy "Lighting Facts" label.

Electrical

Driver:

Class 2, Constant Current, 100-277V, 50-60Hz, 1050mA

THD:

11.2% at 120V, 15.944% at 277V

Power Factor:

99% at 120V, 91.4% at 277V

Photocell:

120V Swivel Photocell Included. Photocell is only compatible with 120V.

Construction

Maximum Ambient Temperature:

Suitable for use in 104° F (40°C) ambient temperatures

Cold Weather Starting:

Minimum starting temperature is -40° F (-40° C)

Housing:

Die-cast aluminum housing and lens frame with (4) 1/2" NPS side conduit entries and weatherproof rear wire plug and access plate

Mounting:

Ceiling mount to recessed junction with knockout template or directly to ceiling surface, utilizing side conduit entry points.

IP Rating:

Ingress Protection rating of IP66 for dust and water

Lens:

Vandal-resistant polycarbonate textured opaque for low glare flat lens

Reflector:

Semi-specular, vacuum-metalized polycarbonate

Gaskets:

High-temperature silicone gaskets

Finish:

Our environmentally friendly polyester powder coatings are formulated for high-durability and long-lasting color, and contain no VOC or toxic heavy metals.

Green Technology:

Mercury and UV free. RoHS compliant components. Polyester powder coat finish formulated without the use of VOC or toxic heavy metals.

LED Characteristics

LEDs:

Discreet LEDs on PCB board

Color Stability:

RAB LEDs exceed industry standards for chromatic stability.

Color Uniformity:

RAB's range of CCT (Correlated Color Temperature) follows the guidelines of the American National Standard for Specifications for the Chromaticity of Solid State Lighting (SSL) Products, ANSI C78.377-2015.

Replacement:

Replaces up to 100W Metal Halide.

Other

Warranty:

RAB warrants that our LED products will be free from defects in materials and workmanship for a period of five (5) years from the date of delivery to the end user, including coverage of light output, color stability, driver performance and fixture finish. See our full warranty

Country of Origin:

Designed by RAB in New Jersey and assembled in the USA by RAB's IBEW Local 3 workers.

Buy American Act Compliant:

This product is a COTS item manufactured in the United States, and is compliant with the Buy American Act.

Recovery Act (ARRA) Compliant:

This product complies with the 52.225-21 "Required Use of American Iron, Steel, and Manufactured Goods-- Buy American Act-- Construction Materials (October 2010).

Trade Agreements Act Compliant:

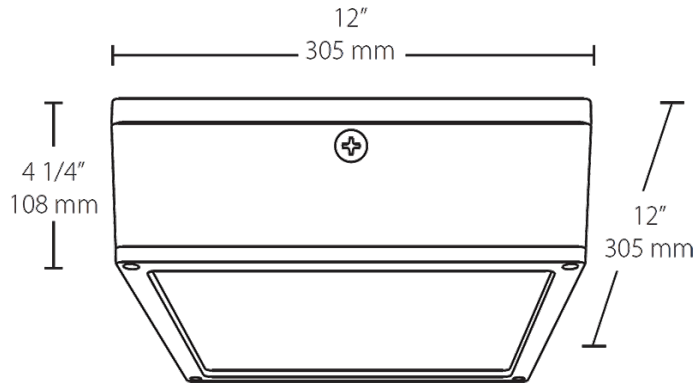
This product is a COTS item manufactured in the United States, and is compliant with the Trade Agreements Act.

GSA Schedule:

Suitable in accordance with FAR Subpart 25.4.

VANLED40FFR/PCS

Dimensions



Features

- Fits the footprint of older canopy lights
- Vandal resistant and UV resistant lens
- Ultra-high efficiency
- Clean, contemporary, low-profile design
- Available with drop lens or flat lens
- IP66 rated, keeps dust, bugs and water out
- Photo and motion sensor options available

Ordering Matrix

Family	Watts	Color Temp	Lens	Motion Sensor & Finish	Driver Options	Photocell Options
VANLED						
	10 =	Blank = 5000K	Blank = Drop	Blank = Bronze, no sensor	Blank = On/Off driver	/PCS = 120V
	10W	(Cool)	lens	W = White, no sensor	/D10 = 0-10V Dimming (not available for 10w)	Swivel
	20 =	N = 4000K	F = Flat lens	MS = Bronze w/ SMS500 mini-sensor (not	/480 = 480V (not available for 10W or 20W)	/PCS2 = 277V
	20W	(Neutral)	FR = Frosted	available w/ D10 models)	/480/D10 = 480V w/ 0-10V dimming (not	Swivel
	40 =	Y = 3000K	Drop Lens	MSW = White w/ SMS500 mini-sensor (not	available for 10W or 20W)	/PCS4 = 480V
	40W	(Warm)	FFR = Frosted	available w/ D10 models)		Swivel
	52 =		Flat Lens			
	52W					
	65 =					
	65W					
	75 =					
	75W					