



Low-profile vandal-resistant fixture covers the footprint of most traditional canopy lights. Available in flat or drop lens with frosted and unfrosted options.

Color: White

Weight: 12.0 lbs

**Project:**

**Type:**

**Prepared By:**

**Date:**

### Driver Info

Type: Constant Current  
 120V: 0.85A  
 208V: N/A  
 240V: N/A  
 277V: N/A  
 Input Watts: 76W  
 Efficiency: 99%

### LED Info

Watts: 75W  
 Color Temp: 4000K  
 Color Accuracy: 78 CRI  
 L70 Lifespan: 100000  
 Lumens: 7731  
 Efficacy: 102 LPW

## Technical Specifications

### Listings

#### UL Listing:

Suitable for wet locations.

#### IESNA LM-79 & LM-80 Testing:

RAB LED luminaires have been tested by an independent laboratory in accordance with IESNA LM-79 and LM-80, and have received the Department of Energy "Lighting Facts" label.

### Electrical

#### Driver:

Class 2, 100-277V, 50-60Hz, 1980mA

#### THD:

9.6% at 120V, 14.9% at 277V

#### Power Factor:

99.1% at 120V, 95.1% at 277V

#### Photocell:

120V Swivel Photocell Included. Photocell is only compatible with 120V.

### Construction

#### Maximum Ambient Temperature:

Suitable for use in 104° F (40°C) ambient temperatures

#### Cold Weather Starting:

Minimum starting temperature is -40° F (-40° C)

#### Housing:

Die-cast aluminum housing and lens frame with (4) 1/2" NPS side conduit entries and weatherproof rear wire plug and access plate

#### Mounting:

Ceiling mount to recessed junction with knockout template or directly to ceiling surface, utilizing side conduit entry points.

#### IP Rating:

Ingress Protection rating of IP66 for dust and water

#### Lens:

Vandal-resistant polycarbonate textured opaque for low glare drop lens

#### Reflector:

Semi-specular, vacuum-metalized polycarbonate

#### Gaskets:

High-temperature silicone gaskets

#### Finish:

Our environmentally friendly polyester powder coatings are formulated for high-durability and long-lasting color, and contain no VOC or toxic heavy metals.

#### Green Technology:

Mercury and UV free. RoHS compliant components. Polyester powder coat finish formulated without the use of VOC or toxic heavy metals.

### LED Characteristics

#### LEDs:

Discreet LEDs on PCB board

#### Color Stability:

RAB LEDs exceed industry standards for chromatic stability.

#### Color Uniformity:

RAB's range of CCT (Correlated Color Temperature) follows the guidelines of the American National Standard for Specifications for the Chromaticity of Solid State Lighting (SSL) Products, ANSI C78.377-2015.

#### Replacement:

Replaces up to 200W Metal Halide.

### Other

#### Warranty:

RAB warrants that our LED products will be free from defects in materials and workmanship for a period of five (5) years from the date of delivery to the end user, including coverage of light output, color stability, driver performance and fixture finish. See our full warranty

#### Country of Origin:

Designed by RAB in New Jersey and assembled in the USA by RAB's IBEW Local 3 workers.

#### Buy American Act Compliant:

This product is a COTS item manufactured in the United States, and is compliant with the Buy American Act.

#### Recovery Act (ARRA) Compliant:

This product complies with the 52.225-21 "Required Use of American Iron, Steel, and Manufactured Goods-- Buy American Act-- Construction Materials (October 2010).

#### Trade Agreements Act Compliant:

This product is a COTS item manufactured in the United States, and is compliant with the Trade Agreements Act.

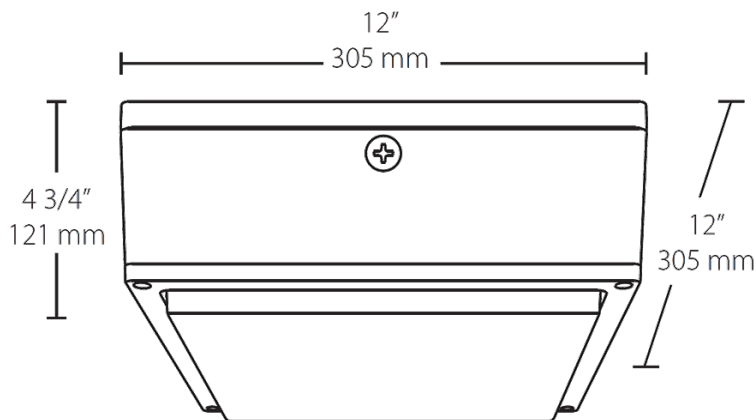
#### GSA Schedule:

Suitable in accordance with FAR Subpart 25.4.

# VANLED75NFRW/PCS



## Dimensions



## Features

- Fits the footprint of older canopy lights
- Vandal resistant and UV resistant lens
- Ultra-high efficiency
- Clean, contemporary, low-profile design
- Available with drop lens or flat lens
- IP66 rated, keeps dust, bugs and water out
- Photo and motion sensor options available

## Ordering Matrix

| Family | Watts    | Color Temp           | Lens                                    | Motion Sensor & Finish  | Driver Options  | Photocell Options   |
|--------|----------|----------------------|---|---|---|---------------------|
| VANLED |          |                      |   |   |   |                     |
|        | 10 = 10W | Blank = 5000K (Cool) | Blank = Drop lens                       | Blank = Bronze, no sensor<br>W = White, no sensor               | Blank = On/Off driver<br>/D10 = 0-10V Dimming (not available for 10w) | /PCS = 120V Swivel  |
|        | 20 = 20W | N = 4000K (Neutral)  | F = Flat lens<br>FR = Frosted Drop Lens | MS = Bronze w/ SMS500 mini-sensor (not available w/ D10 models) | /480 = 480V (not available for 10W or 20W)                            | /PCS2 = 277V Swivel |
|        | 40 = 40W | Y = 3000K (Warm)     | FFR = Frosted Flat Lens                 | MSW = White w/ SMS500 mini-sensor (not available w/ D10 models) | /480/D10 = 480V w/ 0-10V dimming (not available for 10W or 20W)       | /PCS4 = 480V Swivel |
|        | 52 = 52W |                      |   |   |   |                     |
|        | 65 = 65W |                      |   |   |   |                     |
|        | 75 = 75W |                      |   |   |   |                     |