



Die cast aluminum construction. Wall bracket plus junction box with sturdy mounting lugs. Medium base socket, 1/2" or 3/4" NPS hub size and a variety of globes. incandescent lamp A21 for 100 series, PS25 for 200 Series. Lamp not supplied.

Color: Natural

Weight: 4.1 lbs

|                     |              |
|---------------------|--------------|
| <b>Project:</b>     | <b>Type:</b> |
| <b>Prepared By:</b> | <b>Date:</b> |

| Lamp Info    |      | Ballast Info |     |
|--------------|------|--------------|-----|
| Type:        | A19  | Type:        | N/A |
| Watts:       | 150W | 120V:        | N/A |
| Shape/Size:  | N/A  | 208V:        | N/A |
| Base:        | N/A  | 240V:        | N/A |
| ANSI:        | N/A  | 277V:        | N/A |
| Hours:       | N/A  | Input Watts: | 0W  |
| Lamp Lumens: | N/A  |              |     |
| Efficacy:    | N/A  |              |     |

## Technical Specifications

### Listings

#### UL Listing:

Suitable for wet locations. Suitable for use in dwellings. Suitable for use with 90°C supply wiring. Complies with UL Standard 1598. For non-hazardous locations where the lamp, socket and wiring require protection from rain, corrosive fumes, non-combustible dusts, moisture, non-explosive vapors and gases.

### Electrical

#### Wattage:

See catalog number chart for maximum wattage with clear glass, colored glass and Permaglobes.

#### Socket:

Premium porcelain with 150°C 8" leads attached. Fastened with 2 stainless steel screws.

#### Maximum Watts:

150 watts

### Colored Globe Maximum Watts:

100 watts

### Construction

#### Globes:

Supplied with clear heat resistant glass globes unless otherwise stated. Colored and white glass globes available. Unbreakable RAB Permaglobes available in clear and in color.

#### Optional Reflectors:

Highly reflective white baked polyester epoxy powder finish over a heavy gauge aluminum base. Reflectors thread onto fixtures. See RV series.

#### Die Cast Guard:

Supplied with one piece die cast guard with set screw.

### Other

#### Country of Origin:

Designed by RAB in New Jersey and assembled in Taiwan.

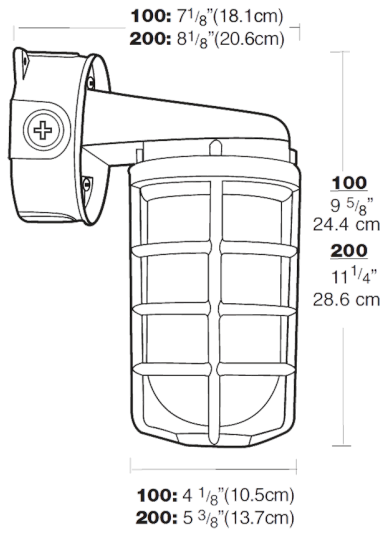
#### Trade Agreements Act Compliant:

This product is a product of Taiwan and a "designated country" end product that complies with the Trade Agreements Act.

#### GSA Schedule:

Suitable in accordance with FAR Subpart 25.4.

## Dimensions



## Features

- Set screw keeps guard securely in place
- Junction box with sturdy mounting lugs
- All stainless steel hardware
- Close-up plugs allow Phillips or slotted screwdrivers for easy installation
- High temperature silicone internal gaskets
- Premium porcelain socket with 150C 8" long leads attached
- Clear heat resistant glass globes standard Polycarbonate Permaglobes available