



Partial LED Vaporproof fixture requires RAB Globe and Guard. Can be used with color globes.

Color: Natural

Weight: 3.7 lbs

**Project:**

**Type:**

**Prepared By:**

**Date:**

### Driver Info

|              |                  |
|--------------|------------------|
| Type:        | Constant Current |
| 120V:        | 0.13A            |
| 208V:        | 0.08A            |
| 240V:        | 0.07A            |
| 277V:        | 0.06A            |
| Input Watts: | 15W              |
| Efficiency:  | 85%              |

### LED Info

|                 |        |
|-----------------|--------|
| Watts:          | 13W    |
| Color Temp:     | 3000K  |
| Color Accuracy: | 86 CRI |
| L70 Lifespan:   | 100000 |
| Lumens:         | 507    |
| Efficacy:       | 33 LPW |

## Technical Specifications

### LED Characteristics

#### Lifespan:

100,000-hour LED lifespan based on IES LM-80 results and TM-21 calculations.

#### Light Color (Nominal CCT):

3000K

#### Color Consistency:

3-step MacAdam Ellipse binning to achieve consistent fixture-to-fixture color.

#### Color Stability:

LED color temperature is warranted to shift no more than 200K in CCT over a 5 year period.

#### Color Uniformity:

RAB's range of CCT (Correlated Color Temperature) follows the guidelines of the American National Standard for Specifications for the Chromaticity of Solid State Lighting (SSL) Products, ANSI C78.377-2011.

### Construction

#### Specification:

These specifications are for fixture with Frosted Glass Globe and Die Cast Guard combination. Consult warehouse for different fixture combinations.

#### Globes and Guards:

Vaporproof LEDs are compatible with RAB Globes and Guards.

#### Construction:

Die cast aluminum housing and door. Tether connects back housing halves for safety.

#### Cold Weather Starting:

Minimum starting temperature is -40°F / -40°C.

#### Ambient Temperature:

Suitable for use in 35°C (95°F) ambient temperatures.

#### Housing:

Die cast aluminum housing and driver housing.

#### Mounting:

Three 3/4" NPS conduit entry points.

#### Reflector:

High quality hydroformed semi-specular aluminum.

#### Gaskets:

High Temperature Silicone.

#### Finish:

Natural shot blasted aluminum.

#### Green Technology:

Mercury and UV free. RoHS compliant components. Polyester powder coat finish formulated without the use of VOC or toxic heavy metals.

### Listings

#### UL Listing:

Suitable for Wet locations only with outer globe and as a Downlight.

#### IESNA LM-79 & IESNA LM-80 Testing:

RAB LED luminaires have been tested by an independent laboratory in accordance with IESNA LM-79 and 80, and have received the Department of Energy "Lighting Facts" label.

### Electrical

#### Driver:

Multi-chip single 13W high output long life LED Driver. Constant Current, 100V-277V, 50/60 Hz., 100-240VAC. 3-.15 Amps 277VAC. 15 Amps. Will deliver 70% of its initial lumens at 100,000 hours based on LM-80 Tests.

#### Surge Protection:

4kV

#### Other

#### Thermal Management (Patent Pending):

Die cast aluminum LED housing designed for maximum heat dissipation.

#### Warranty:

RAB warrants that our LED products will be free from defects in materials and workmanship for a period of five (5) years from the date of delivery to the end user, including coverage of light output, color stability, driver performance and fixture finish.

#### Patents:

The VXBRLED design is protected by Taiwan Patent 01510951 and patents pending in the U.S., Canada, China, and Mexico.

#### Country of Origin:

Designed by RAB in New Jersey and assembled in the USA by RAB's IBEW Local 3 workers.

#### Buy American Act Compliant:

This product is a COTS item manufactured in the United States, and is compliant with the Buy American Act.

#### Recovery Act (ARRA) Compliant:

This product complies with the 52.225-21 "Required Use of American Iron, Steel, and Manufactured Goods-- Buy American Act-- Construction Materials (October 2010).

## Technical Specifications (continued)

### Other

#### Trade Agreements Act Compliant:

This product is a COTS item manufactured in the United States, and is compliant with the Trade Agreements Act.

### GSA Schedule:

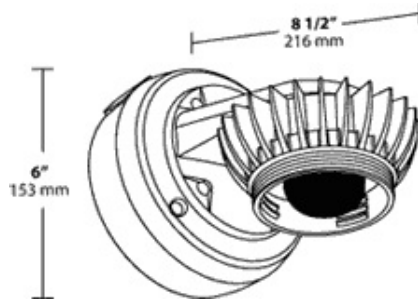
Suitable in accordance with FAR Subpart 25.4.

### Optical

#### BUG Rating:

B0 U2 G1

## Dimensions



## Features

- High performance LED light engine
- 100,000 hour life based on LM-80 tests
- Die Cast Aluminum Housing
- Classic design with state of the art LED technology