



High performance 26W LED Vaporproof fixture. A classic design with cutting edge LED technology. Comes with die cast guard and frosted globe.

Color: Natural

Weight: 5.0 lbs

| | |
|---------------------|--------------|
| Project: | Type: |
| Prepared By: | Date: |

| Driver Info | | LED Info | |
|--------------|------------------|-----------------|--------|
| Type: | Constant Current | Watts: | 26W |
| 120V: | 0.25A | Color Temp: | 3000K |
| 208V: | 0.14A | Color Accuracy: | 81 CRI |
| 240V: | 0.13A | L70 Lifespan: | 100000 |
| 277V: | 0.11A | Lumens: | 1,401 |
| Input Watts: | 26W | Efficacy: | 53 LPW |
| Efficiency: | 99% | | |

Technical Specifications

Listings

UL Listing:

Suitable for wet locations as downlight.

IESNA LM-79 & LM-80 Testing:

RAB LED luminaires have been tested by an independent laboratory in accordance with IESNA LM-79 and LM-80, and have received the Department of Energy "Lighting Facts" label.

LED Characteristics

Lifespan:

100,000-hour LED lifespan based on IES LM-80 results and TM-21 calculations.

LED:

Multi-chip 26W high-output, long-life LED.

Color Temperature:

3000K

Color Consistency:

3-step MacAdam Ellipse binning to achieve consistent fixture-to-fixture color.

Color Stability:

LED color temperature is warrantied to shift no more than 200K in CCT over a 5 year period.

Color Uniformity:

RAB's range of CCT (Correlated Color Temperature) follows the guidelines of the American National Standard for Specifications for the Chromaticity of Solid State Lighting (SSL) Products, ANSI C38.377-2011.

Construction

Globes and Guards:

Vaporproof LEDs are compatible with RAB Globes and Guards.

Cold Weather Starting:

Minimum starting temperature is -40°F / -40°C

Ambient Temperature:

Suitable for use in 40°C (104°F) ambient temps.

Housing:

All die-cast aluminum construction.

Gaskets:

High temperature silicone.

Finish:

Natural shot blasted aluminum.

Mounting:

(3) 1/2" NPS conduit entry points.

Guard and Globe:

Shot blasted guard with frosted globe.

Green Technology:

Mercury and UV free. RoHS compliant components. Polyester powder coat finish formulated without the use of VOC or toxic heavy metals.

Max Weight Capacity:

9.0 lbs.

Electrical

Driver:

Constant Current, 100V-277V, 50/60 Hz, 0.48 Amp, Power Factor 97.9%.

Other

Thermal Management (Patent Pending):

Die-cast LED housing designed for maximum heat dissipation.

California Title 24:

LVAPOR complies with California Title 24 building and electrical codes.

Patents:

The design of the LVAPOR is protected by the following patents US pat. pending; D651738 CN ZL201230040341.3; ZL201130028360.X, TW pat. 101301367 MX 35699; pat. pending CA.

Country of Origin:

Designed by RAB in New Jersey and assembled in Taiwan.

Trade Agreements Act Compliant:

This product is a product of Taiwan and a "designated country" end product that complies with the Trade Agreements Act.

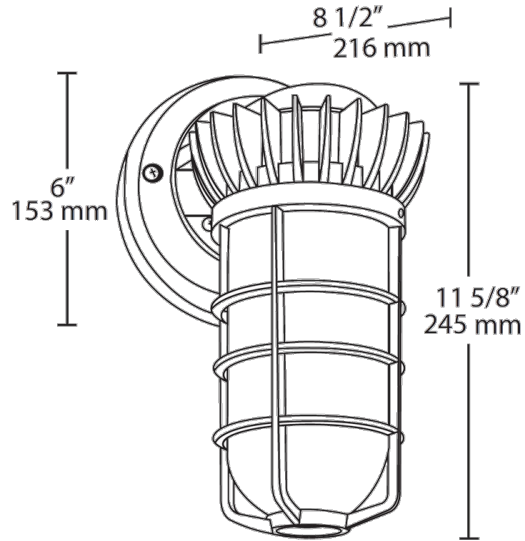
GSA Schedule:

Suitable in accordance with FAR Subpart 25.4.

Warranty:

RAB warrants that our LED products will be free from defects in materials and workmanship for a period of five (5) years from the date of delivery to the end user, including coverage of light output, color stability, driver performance and fixture finish.

Dimensions



Features

- Superior Thermal Management (Patent Pending)
- All Die-Cast Aluminum Construction
- 100,000 hour life based on LM-80 tests
- Thermal Shock-Resistant Frosted Glass Globe
- Traditional Look, Cutting-Edge Technology
- 5-year LED warranty