

<b>Project:</b>	<b>Type:</b>
<b>Prepared By:</b>	<b>Date:</b>

Die cast aluminum wiring box with weatherproof gasket, ground screw, and two sturdy lugs for wall or ceiling mounting.

Color: Natural

Weight: 0.9 lbs

## Technical Specifications

### Listings

#### UL Listing:

Suitable for wet locations.

#### Other

#### Box Material:

Precision die cast aluminum.

#### Country of Origin:

Designed by RAB in New Jersey and assembled in Taiwan.

#### Trade Agreements Act Compliant:

This product is a product of Taiwan and a "designated country" end product that complies with the Trade Agreements Act.

#### GSA Schedule:

Suitable in accordance with FAR Subpart 25.4.

#### Construction

##### Gasket:

1/8" thick closed cell EPDM Foam for long lasting seal that won't crumple or break.

##### Screws:

10-24 Stainless steel Round Head Phillips/slotted.

##### Gasket:

1/8" thick closed cell silicone rubber.

#### Ground Screw:

# 10-24 Green corrosion protected steel slotted washer head screw provided in pre-tapped hole

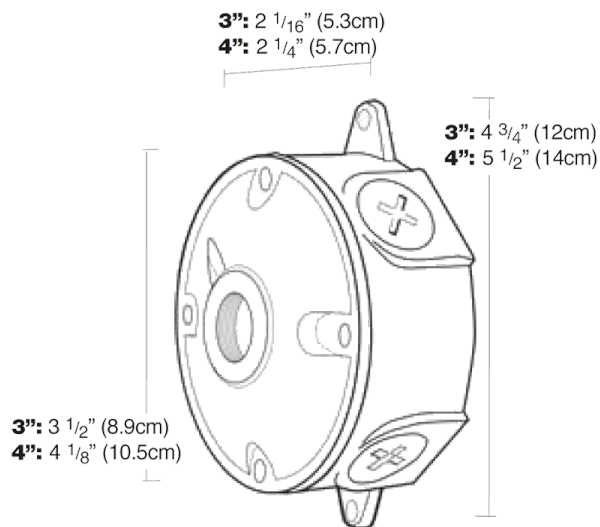
#### Box Diameter:

4".

#### Side Hole Thread Size:

3/4".

## Dimensions



## Features

Stainless steel screws

Green hex slotted washer head ground screw in pre-tapped hole

Heavy die cast aluminum

Close-up plugs allow Phillips or slotted screwdrivers for easy installation

1/8" thick weatherseal gasket is closed cell foam rubber for long lasting seal that won't crumble or break