



Partial LED Vaporproof fixture requires RAB Globe and Guard. Can be used with color globes.

Color: Natural

Weight: 3.1 lbs

<b>Project:</b>	<b>Type:</b>
<b>Prepared By:</b>	<b>Date:</b>

Driver Info		LED Info	
Type:	Constant Current	Watts:	13W
120V:	0.13A	Color Temp:	5000K
208V:	0.08A	Color Accuracy:	N/A
240V:	0.07A	L70 Lifespan:	100000
277V:	0.06A	Lumens:	729
Input Watts:	15W	Efficacy:	48 LPW
Efficiency:	86%		

## Technical Specifications

### LED Characteristics

#### Lifespan:

100,000-hour LED lifespan based on IES LM-80 results and TM-21 calculations.

#### Color Consistency:

7-step MacAdam Ellipse binning to achieve consistent fixture-to-fixture color.

#### Color Stability:

LED color temperature is warranted to shift no more than 200K in CCT over a 5 year period.

#### Color Uniformity:

RAB's range of CCT (Correlated color temperature) follows the guidelines of the American National Standard for Specifications for the Chromaticity of Solid State Lighting (SSL) Products, ANSI C38.377-2011.

### Construction

#### Specification:

These specifications are for fixture with Frosted Glass Globe and Die Cast Guard combination. Consult warehouse for different fixture combinations.

#### Temperature:

The VXLED is rated for 40°C maximum ambient and -30°C minimum cold starting temperatures.

#### Globes and Guards:

Vaporproof LEDs are compatible with RAB Globes and Guards.

#### Construction:

Die cast aluminum housing and door. Tether connects back housing halves for safety.

#### Cold Weather Starting:

Minimum starting temperature is -40°F / -40°C.

#### Ambient Temperature:

Suitable for use in 35°C (95°F) ambient temperatures.

#### Housing:

Die cast aluminum housing and driver housing.

#### Mounting:

Three 3/4" NPS conduit entry points.

#### Reflector:

High quality hydroformed semi-specular aluminum.

#### Gaskets:

High Temperature Silicone.

#### Finish:

Natural shot blasted aluminum.

#### Green Technology:

Mercury and UV free. RoHS compliant components. Polyester powder coat finish formulated without the use of VOC or toxic heavy metals.

### Listings

#### UL Listing:

Suitable for Wet locations only with outer globe and as a Downlight.

#### IESNA LM-79 & IESNA LM-80 Testing:

RAB LED luminaires have been tested by an independent laboratory in accordance with IESNA LM-79 and 80, and have received the Department of Energy "Lighting Facts" label.

### Electrical

#### Driver:

Multi-chip single 13W high output long life LED Driver. Constant Current, 100V-277V, 50/60 Hz., 100-240VAC. 3-.15 Amps 277VAC. 15 Amps. Will deliver 70% of its initial lumens at 100,000 hours based on LM-80 Tests.

#### Surge Protection:

4kV

### Other

#### Thermal Management (Patent Pending):

Die cast aluminum LED housing designed for maximum heat dissipation.

#### Equivalency:

The VXLED13 is Equivalent in delivered lumens to a 60W Incandescent or 23W CFL.

#### HID Replacement Range:

The VXLED13 can be used to replace 13-23W CFL or 25-60W Incandescent Vaporproofs based on delivered lumens.

#### California Title 24:

See VXLED13/PCS or VXLED13/PCS2 for a 2013 California Title 24 compliant model.

#### Warranty:

RAB warrants that our LED products will be free from defects in materials and workmanship for a period of five (5) years from the date of delivery to the end user, including coverage of light output, color stability, driver performance and fixture finish.

#### Patents:

The VXLED a design is protected by patents pending in the U.S., Canada, China, Taiwan and Mexico.

## Technical Specifications (continued)

**Other**

**Country of Origin:**

Designed by RAB in New Jersey and assembled in the USA by RAB's IBEW Local 3 workers.

**Buy American Act Compliant:**

This product is a COTS item manufactured in the United States, and is compliant with the Buy American Act.

**Recovery Act (ARRA) Compliant:**

This product complies with the 52.225-21 "Required Use of American Iron, Steel, and Manufactured Goods-- Buy American Act-- Construction Materials (October 2010).

**Trade Agreements Act Compliant:**

This product is a COTS item manufactured in the United States, and is compliant with the Trade Agreements Act.

**GSA Schedule:**

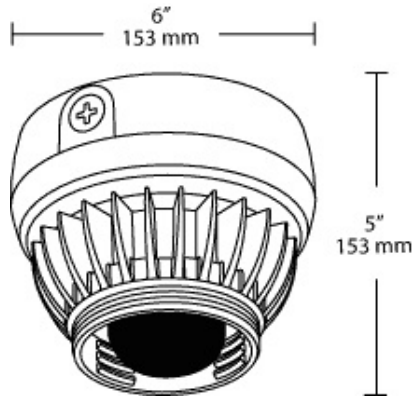
Suitable in accordance with FAR Subpart 25.4.

**Optical**

**BUG Rating:**

B0 U3 G1

### Dimensions



### Features

- High performance LED light engine
- 100,000 hour life based on LM-80 tests
- Die Cast Aluminum Housing
- Classic design with state of the art LED technology