



Ultra-economy wall pack with traditional look.

Color: Bronze

Weight: 6.8 lbs

<b>Project:</b>	<b>Type:</b>
<b>Prepared By:</b>	<b>Date:</b>

Driver Info		LED Info	
Type	Constant Current	Watts	30W
120V	N/A	Color Temp	3000K (Warm)
208V	N/A	Color Accuracy	82 CRI
240V	N/A	L70 Lifespan	50,000
277V	N/A	Lumens	3,067
Input Watts	28.6W	Efficacy	107.2 LPW
Efficiency	N/A		

**Technical Specifications**

**Listings**

**UL Listing:**

Suitable for wet locations. Suitable for mounting within 4 feet of the ground.

**DLC Listed:**

This product is on the Design Lights Consortium (DLC) Qualified Products List and is eligible for rebates from DLC Member Utilities. DLC Product Code: P8S0VYEO

**Electrical**

**Dimming Driver:**

Driver includes dimming control wiring for 0-10V dimming systems. Requires separate 0-10V DC dimming circuit. Dims as low as 10%.

**Driver:**

Constant Current, Class 2, 480V, 50/60Hz, 480V: 0.06A

**THD:**

6.6% at 480V

**Power Factor:**

92.4% at 480V

**LED Characteristics**

**Lifespan:**

50,000-hour LED lifespan based on IES LM-80 results and TM-21 calculations

**Note:**

All values are typical (tolerance +/- 10%)

**LEDs:**

Long-life, high-efficacy surface mount LEDs

**Color Uniformity:**

RAB's range of CCT (Correlated Color Temperature) follows the guidelines of the American National Standard for Specifications for the Chromaticity of Solid State Lighting (SSL) Products, ANSI C78.377-2017.

**Construction**

**Housing:**

Die-cast aluminum

**Lens:**

Glass

**Reflector:**

Specular aluminum

**Cold Weather Starting:**

Minimum starting temperature is -40°C (-40°F)

**Maximum Ambient Temperature:**

Suitable for use in 40°C (104°F)

**Mounting:**

Die-cast backbox with four (4) conduit entry points and knockout pattern for junction box or direct wall mounting. Hinged door for easy re-assembly.

**Green Technology:**

Mercury and UV free. RoHS-compliant components.

**Finish:**

Formulated for high durability and long-lasting color

**Other**

**Replacement:**

Replaces up to 100W Metal Halide

## Technical Specifications (continued)

### Other

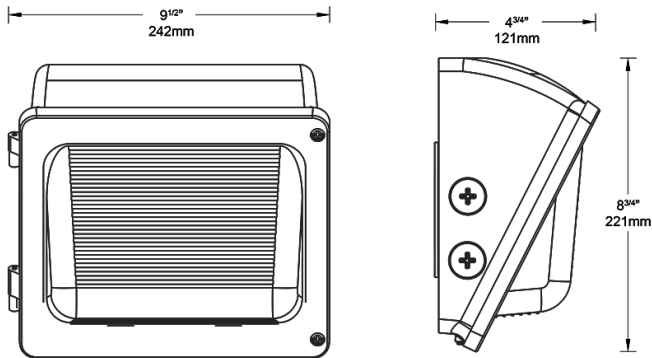
#### 5 Yr Limited Warranty:

The RAB 5-year, limited warranty covers light output, driver performance and paint finish. RAB's warranty is subject to all terms and conditions found at [rablighting.com/warranty](http://rablighting.com/warranty).

### Buy American Act Compliance:

RAB values USA manufacturing! Upon request, RAB may be able to manufacture this product to be compliant with the Buy American Act (BAA). Please contact customer service to request a quote for the product to be made BAA compliant.

## Dimensions



## Features

- Economy-grade wall pack with traditional look
- Covers footprint of small HID wall packs
- Available in various lumen packages
- Integrated 0-10V dimming
- 50,000-Hour LED lifespan

## Ordering Matrix

Family	Lumen Package	CRI/CCT	Voltage	Options
W34	30L	830	/480	
	30L = 3100lm, 30W 35L = 3600lm, 33W	Blank = 80 CRI / 5000K 830 = 80 CRI / 3000K	Blank = 120-277V, 0-10V Dimming /480 = 480V, 0-10V Dimming	Blank = No Option /PCU = 120-277V Button Photocell /MVS = 120-277V Microwave Sensor /LC = 120-277V Lightcloud® Control