



Ultra-economy wall pack with traditional look.

Color: Bronze

Weight: 6.8 lbs

Project:

Type:

Prepared By:

Date:

Driver Info

LED Info

Type	Constant Current	Watts	30W
120V	0.25A	Color Temp	4000K (Neutral)
208V	0.15A	Color Accuracy	83 CRI
240V	0.13A	L70 Lifespan	50,000 Hours
277V	0.12A	Lumens	3,497
Input Watts	29.1W	Efficacy	120.2 lm/W

Technical Specifications

Compliance

UL Listed:

Suitable for wet locations. Suitable for mounting within 4 feet of the ground.

DLC Listed:

This product is on the Design Lights Consortium (DLC) Qualified Products List and is eligible for rebates from DLC Member Utilities.

DLC Product Code: PPXBTG89

Performance

Lifespan:

50,000-Hour LED lifespan based on IES LM-80 results and TM-21 calculations

Electrical

Driver:

Constant Current, Class 2, 120-277V, 50/60Hz, 120V: 0.25A, 208V: 0.15A, 240V: 0.13A, 277V: 0.12A

THD:

3.46% at 120V, 4.25% at 277V

Power Factor:

99.6% at 120V, 92.6% at 277V

Note:

All values are typical (tolerance +/- 10%)

LED Characteristics

LEDs:

Long-life, high-efficacy, surface-mount LEDs

Color Uniformity:

RAB's range of Correlated Color Temperature follows the guidelines of the American National Standard for Specifications for the Chromaticity of Solid State Lighting (SSL) Products, ANSI C78.377-2017.

Construction

Housing:

Die-cast aluminum

Lens:

Glass

Reflector:

Specular aluminum

Cold Weather Starting:

Minimum starting temperature is -40°C (-40°F)

Maximum Ambient Temperature:

Suitable for use in up to 40°C (104°F)

Technical Specifications (continued)

Construction

Mounting:

Die-cast backbox with four (4) conduit entry points and knockout pattern for junction box or direct wall mounting. Hinged door for easy re-assembly.

Green Technology:

Mercury and UV free. RoHS-compliant components.

Finish:

Formulated for high durability and long-lasting color

Other

Replacement:

Replaces up to 100W Metal Halide

Equivalency:

Equivalent to 70W Metal Halide

5 Yr Limited Warranty:

The RAB 5-year, limited warranty covers light output, driver performance and paint finish. RAB's warranty is subject to all terms and conditions found at rablighting.com/warranty.

Buy American Act Compliance:

RAB values USA manufacturing! Upon request, RAB may be able to manufacture this product to be compliant with the Buy American Act (BAA). Please contact customer service to request a quote for the product to be made BAA compliant.

Sensor Specifications

Microwave Motion Sensor:

Microwave based technology occupancy sensor that automatically affect the operation of lighting equipment based upon detecting the presence or absence of people in a space.

Capacitance Load:

400VA at 120VAC, 800VA at 230VAC, 1000VA at 277VAC

Operating Temperature:

-20°C to +60°C (-4°F to +140°F)

Relay:

Zero-cross relay

Maximum Mounting Height:

16.4 feet

Customizable Detection Area:

10, 50, 75 or 100%

Time Delay:

5s, 30s, 1min, 5min, 10min, 20min, 30min

Cut Off Period:

0s, 10s, 1min, 5min, 10min, 30min, 1hr, Bi-Level

Cut-Off Dimming level:

10, 20, 30, 50%

Cut-Off Power:

Less than 1W

Daylight Threshold:

About .2-5 fc for disabled

Sensor Principle:

High Frequency

Microwave Frequency:

5.8GHz +/- 75MHz

Microwave Power:

<0.2mW

Max Detection Range:

26 ft. diameter at 16 ft. mounting height

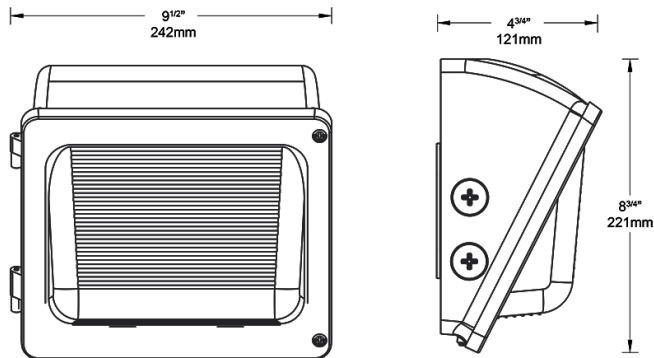
Detection Angle:

About 30 to 150 degrees

Remote Control:

Adjust settings using remote control (catalog# MVSREM). Only available with 0-10V dimming driver options. [Remote control available here.](#)

Dimensions



Features

- Economy-grade wall pack with traditional look
- Covers footprint of small HID wall packs
- Available in various lumen packages
- Integrated 0-10V dimming
- 50,000-Hour LED lifespan

Ordering Matrix

Family	Lumen Package	CRI/Color Temp	Voltage	Options
W34	30L	840		/MVS
	30L = 3,500lm, 30W 35L = 4,000lm, 33W	Blank = 80 CRI / 5000K 840 = 80 CRI / 4000K 830 = 80 CRI / 3000K	Blank = 120-277V, 0-10V Dimming /480 = 480V, 0-10V Dimming	Blank = No Option /PCU = 120-277V Button Photocell /MVS = Microwave Motion Sensor /LC = 120-277V Lightcloud® Control

All values are nominal with +/- 10% tolerance. See spec sheet for more details.