



Ultra-economy wall pack with traditional look.

Color: Bronze

Weight: 6.7 lbs

Project:

Type:

Prepared By:

Date:

Driver Info

Type	Constant Current
120V	0.29A
208V	0.16A
240V	0.14A
277V	0.13A
Input Watts	33.5W

LED Info

Watts	33W
Color Temp	4000K (Neutral)
Color Accuracy	83 CRI
L70 Lifespan	50,000 Hours
Lumens	4,222
Efficacy	126 lm/W

Technical Specifications

Compliance

UL Listed:

Suitable for wet locations. Suitable for mounting within 4 feet of the ground.

DLC Listed:

This product is on the Design Lights Consortium (DLC) Qualified Products List and is eligible for rebates from DLC Member Utilities.

DLC Product Code: PWWU0KSP

Electrical

Driver:

Constant Current, Class 2, 120-277V, 50/60Hz, 120V: 0.29A, 208V: 0.16A, 240V: 0.14A, 277V: 0.13A

THD:

5.09% at 120V, 3.67% at 277V

Power Factor:

99.5% at 120V, 93.9% at 277V

Photocell:

120-277V Button photocell included. Photocell is compatible with 120V-277V.

Note:

All values are typical (tolerance +/- 10%)

Performance

Lifespan:

50,000-Hour LED lifespan based on IES LM-80 results and TM-21 calculations

LED Characteristics

LEDs:

Long-life, high-efficacy, surface-mount LEDs

Color Uniformity:

RAB's range of Correlated Color Temperature follows the guidelines of the American National Standard for Specifications for the Chromaticity of Solid State Lighting (SSL) Products, ANSI C78.377-2017.

Construction

Housing:

Die-cast aluminum

Lens:

Glass

Reflector:

Specular aluminum

Cold Weather Starting:

Minimum starting temperature is -40°C (-40°F)

Technical Specifications (continued)

Construction

Maximum Ambient Temperature:

Suitable for use in up to 40°C (104°F)

Mounting:

Die-cast backbox with four (4) conduit entry points and knockout pattern for junction box or direct wall mounting. Hinged door for easy re-assembly.

Green Technology:

Mercury and UV free. RoHS-compliant components.

Finish:

Formulated for high durability and long-lasting color

Other

Replacement:

Replaces up to 100W Metal Halide

Equivalency:

Equivalent to 100W Metal Halide

5 Yr Limited Warranty:

The RAB 5-year, limited warranty covers light output, driver performance and paint finish. RAB's warranty is subject to all terms and conditions found at rablighting.com/warranty.

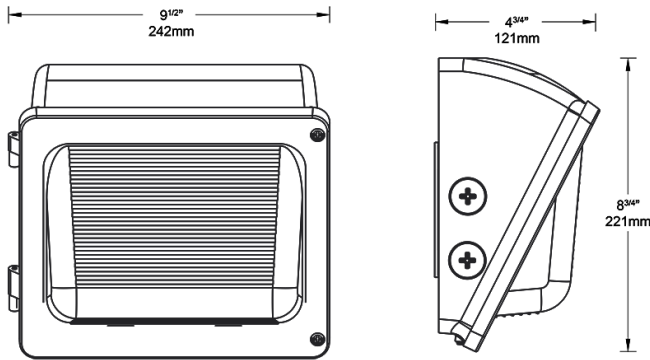
Trade Agreements Act Compliant:

This product is a product of Cambodia and a "designated country" end product that complies with the Trade Agreements Act

Buy American Act Compliance:

RAB values USA manufacturing! Upon request, RAB may be able to manufacture this product to be compliant with the Buy American Act (BAA). Please contact customer service to request a quote for the product to be made BAA compliant.

Dimensions



Features

- Economy-grade wall pack with traditional look
- Covers footprint of small HID wall packs
- Available in various lumen packages
- Integrated 0-10V dimming
- 50,000-Hour LED lifespan

Ordering Matrix

Family	Lumen Package	CRI/Color Temp	Voltage	Options
W34	35L	840		/PCU
	30L = 3,500lm, 30W 35L = 4,000lm, 33W	Blank = 80 CRI / 5000K 840 = 80 CRI / 4000K 830 = 80 CRI / 3000K	Blank = 120-277V, 0-10V Dimming /480 = 480V, 0-10V Dimming	Blank = No Option /PCU = 120-277V Button Photocell /MVS = Microwave Motion Sensor /LC = 120-277V Lightcloud® Control

All values are nominal with +/- 10% tolerance. See spec sheet for more details.