



Ultra-economy wall pack with traditional look.

Color: Bronze

Weight: 6.8 lbs

**Project:**

**Type:**

**Prepared By:**

**Date:**

**Driver Info**

**LED Info**

Type	Constant Current	Watts	33W
120V	0.28A	Color Temp	5000K (Cool)
208V	0.17A	Color Accuracy	83 CRI
240V	0.15A	L70 Lifespan	50,000
277V	0.13A	Lumens	3,601
Input Watts	33.1W	Efficacy	108.8 LPW
Efficiency	N/A		

## Technical Specifications

### Listings

**UL Listing:**

Suitable for wet locations. Suitable for mounting within 4 feet of the ground.

**DLC Listed:**

This product is on the Design Lights Consortium (DLC) Qualified Products List and is eligible for rebates from DLC Member Utilities. DLC Product Code: P7VOBPH8

### Electrical

**Dimming Driver:**

Driver includes dimming control wiring for 0-10V dimming systems. Requires separate 0-10V DC dimming circuit. Dims as low as 10%.

**Driver:**

Constant Current, Class 2, 120-277V, 50/60Hz, 120V: 0.28A, 208V: 0.17A, 240V: 0.15A, 277V: 0.13A

**THD:**

6.9% at 120V, 5% at 277V

**Power Factor:**

99.3% at 120V, 93.2% at 277V

### LED Characteristics

**Lifespan:**

50,000-hour LED lifespan based on IES LM-80 results and TM-21 calculations

**Note:**

All values are typical (tolerance +/- 10%)

**LEDs:**

Long-life, high-efficacy surface mount LEDs

**Color Uniformity:**

RAB's range of CCT (Correlated Color Temperature) follows the guidelines of the American National Standard for Specifications for the Chromaticity of Solid State Lighting (SSL) Products, ANSI C78.377-2017.

### Construction

**Housing:**

Die-cast aluminum

**Lens:**

Glass

**Reflector:**

Specular aluminum

**Cold Weather Starting:**

Minimum starting temperature is -40°C (-40°F)

**Maximum Ambient Temperature:**

Suitable for use in 40°C (104°F)

**Mounting:**

Die-cast backbox with four (4) conduit entry points and knockout pattern for junction box or direct wall mounting. Hinged door for easy re-assembly.

**Green Technology:**

Mercury and UV free. RoHS-compliant components.

**Finish:**

Formulated for high durability and long-lasting color

### Other

**Replacement:**

Replaces up to 100W Metal Halide

## Technical Specifications (continued)

### Other

#### 5 Yr Limited Warranty:

The RAB 5-year, limited warranty covers light output, driver performance and paint finish. RAB's warranty is subject to all terms and conditions found at [rablighting.com/warranty](http://rablighting.com/warranty).

#### Buy American Act Compliance:

RAB values USA manufacturing! Upon request, RAB may be able to manufacture this product to be compliant with the Buy American Act (BAA). Please contact customer service to request a quote for the product to be made BAA compliant.

### Sensor Specifications

#### Capacitance Load:

400VA at 120VAC, 800VA at 230VAC, 1000VA at 277VAC

#### Operating Temperature:

-20°C to +60°C (-4°F to +140°F)

#### Relay:

Zero-cross relay

#### Maximum Mounting Height:

16.4 feet

#### Customizable Detection Area:

10, 50, 75 or 100%

#### Time Delay:

5s, 30s, 1min, 5min, 10min, 20min, 30min

#### Cut Off Period:

0s, 10s, 1min, 5min, 10min, 30min, 1hr, Bi-Level

#### Cut-Off Dimming level:

10, 20, 30, 50%

#### Cut-Off Power:

Less than 1W

#### Daylight Threshold:

About .2-5 fc for disabled

#### Sensor Principle:

High Frequency

#### Microwave Frequency:

5.8GHz +/- 75MHz

#### Microwave Power:

<0.2mW

#### Max Detection Range:

26 ft. diameter at 16 ft. mounting height

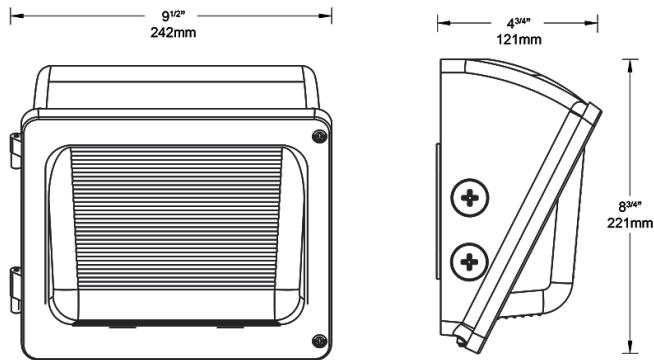
#### Detection Angle:

About 30 to 150 degrees

#### Remote Control:

Adjust settings using remote control (catalog# MVSREM). Only available with 0-10V dimming driver options. [Remote control available here.](#)

## Dimensions



## Features

- Economy-grade wall pack with traditional look
- Covers footprint of small HID wall packs
- Available in various lumen packages
- Integrated 0-10V dimming
- 50,000-Hour LED lifespan

## Ordering Matrix

Family	Lumen Package	CRI/CCT	Voltage	Options
W34	35L			/MVS
	30L = 3100lm, 30W 35L = 3600lm, 33W	Blank = 80 CRI / 5000K 830 = 80 CRI / 3000K	Blank = 120-277V, 0-10V Dimming /480 = 480V, 0-10V Dimming	Blank = No Option /PCU = 120-277V Button Photocell /MVS = 120-277V Microwave Sensor /LC = 120-277V Lightcloud® Control

Need help? Tech help line: (888) 722-1000 Email: [custserv@rablighting.com](mailto:custserv@rablighting.com) Website: [www.rablighting.com](http://www.rablighting.com)

Copyright © 2019 RAB Lighting All Rights Reserved Note: Specifications are subject to change at any time without notice