



18 Watt LED wall sconce. Die-cast aluminum wall bracket with five 1/2" conduit openings with plugs.

Color: White

Weight: 13.1 lbs

| | |
|---------------------|--------------|
| Project: | Type: |
| Prepared By: | Date: |

| Driver Info | | LED Info | |
|--------------|------------------|-----------------|--------|
| Type: | Constant Current | Watts: | 18W |
| 120V: | N/A | Color Temp: | 3000K |
| 208V: | 0.18A | Color Accuracy: | 83 CRI |
| 240V: | 0.15A | L70 Lifespan: | 100000 |
| 277V: | 0.12A | Lumens: | 907 |
| Input Watts: | 22W | Efficacy: | 41 LPW |
| Efficiency: | 81% | | |

Technical Specifications

Electrical

Photocell:

277V Swivel Photocell Included. Photocell is compatible with 208V-277V.

Driver:

Constant Current, Class 2, 100-277V, 50/60 Hz, 6kV Surge Protection, 700mA, 100-277VAC 0.04 A.

THD:

15.6% at 120V

Listings

UL Listing:

Suitable for wet locations. Suitable for mounting within 4 ft. (1.2m) of the ground.

IESNA LM-79 & IESNA LM-80 Testing:

RAB LED fixtures have been tested by an independent laboratory in accordance with IESNA LM-79 and 80, and have received the Department of Energy "Lighting Facts" label.

LED Characteristics

LEDs:

6W multi-chip, long-life LEDs

Lifespan:

100,000-hour LED lifespan based on IES LM-80 results and TM-21 calculations

Color Consistency:

3-step MacAdam Ellipse binning to achieve consistent fixture-to-fixture color.

Color Stability:

LED color temperature is warranted to shift no more than 200K in CCT over a 5 year period.

Color Uniformity:

RAB's range of CCT (Correlated Color Temperature) follows the guidelines of the American National Standard for Specifications for the Chromaticity of Solid State Lighting (SSL) Products, ANSI C78.377-2011

Construction

Ambient Temperature:

Suitable for use in 40°C (104°F) ambient temperatures

Cold Weather Starting:

Minimum starting temperature is -40°F/-40°C

Thermal Management:

Cast aluminum Thermal Management system for optimal heat sinking. The BLED is designed for cool operation, maximum efficiency and long life by minimizing LED junction temperature.

Housing:

Die-cast aluminum with extruded aluminum bollard shaft

Lens:

Clear, vandal-resistant polycarbonate

Reflector:

Specular polycarbonate

Gaskets:

High-temperature silicone gaskets seal out moisture gaskets seal out moisture

Mounting:

Die-cast aluminum wall bracket with five (5) 1/2" conduit openings with plugs

Gaskets:

High-temperature silicone gaskets seal out moisture

Finish:

Our environmentally friendly polyester powder coatings are formulated for high-durability and long-lasting color, and contain no VOC or toxic heavy metals.

Green Technology:

Mercury and UV free. RoHS compliant components. Polyester powder coat finish formulated without the use of VOC or toxic heavy metals.

Other

California Title 24:

WBLED18/PCS2 complies with 2013 California Title 24 building and electrical codes as a commercial outdoor non-pole-mounted fixture < 30 Watts.

Patents:

The design of WBLED is protected by patents pending in US, Canada, China, Taiwan and Mexico.

Warranty:

RAB warrants that our LED products will be free from defects in materials and workmanship for a period of five (5) years from the date of delivery to the end user, including coverage of light output, color stability, driver performance and fixture finish.

Country of Origin:

Designed by RAB in New Jersey and assembled in the USA by RAB's IBEW Local 3 workers.

Buy American Act Compliant:

This product is a COTS item manufactured in the United States, and is compliant with the Buy American Act.

Technical Specifications (continued)

Other

Recovery Act (ARRA) Compliant:

This product complies with the 52.225-21 "Required Use of American Iron, Steel, and Manufactured Goods -- Buy American Act -- Construction Materials (October 2010).

Trade Agreements Act Compliant:

This product is a COTS item manufactured in the United States, and is compliant with the Trade Agreements Act.

GSA Schedule:

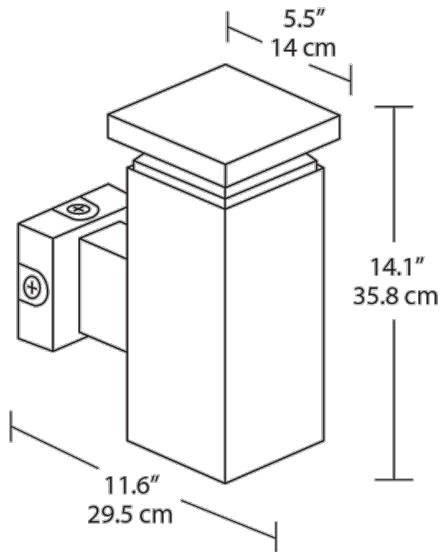
Suitable in accordance with FAR Subpart 25.4.

Optical

BUG Rating:

B1 U1 G1

Dimensions



Features

- 18 Watt LED architectural wall sconce
- Companion fixture to RAB BLED Bollard
- Durable construction and vandal-resistant polycarbonate lens
- 100,000-hour LED lifespan

Ordering Matrix

| Family | Shape | Watts | Color Temp | Finish |
|--------|-----------------------------|----------|---|-----------------------------|
| WBLED | | 18 | Y | W |
| | Blank = Square R = Round | 18 = 18W | Blank = 5000K (Cool) Y = 3000K (Warm) N = 4000K (Neutral) | Blank = Bronze W = White |