



<b>Project:</b>	<b>Type:</b>
<b>Prepared By:</b>	<b>Date:</b>

Driver Info		LED Info	
Type	Constant Current	Watts	9.00W
120V	0.115A	Color Temp	Field Adjustable
208V	N/A	Color Accuracy	90 CRI
240V	N/A	L70 Lifespan	50,000
277V	N/A	Lumens	650
Input Watts	9.00W	Efficacy	72.2 LPW
Efficiency	N/A		

## Technical Specifications

### Listings

**UL Listed:**

Suitable for wet locations

**ENERGY STAR V2.2:**

This product is ENERGY STAR® Version 2.2 Certified.

**Energy Star Model Number:**

DLW0033

**NEC Compliant:**

Suitable for use in closets. Compliant with NEC Sec. 410.16 (A)(1) and 410.16 (C)(3).

**California Title 24:**

Can be used to conform with the requirements of California Title 24 Part 6.

### Electrical

**Dimming Driver:**

TRIAC compatible dimmer with dimming as low as 5%. [See dimmer compatibility guide here.](#)

**Remote Driver:**

Die-cast metal driver / junction box with a hinged cover. Listed for 12AWG and 14AWG conduit. Includes two metal knockouts for wiring. Quick connectors included.

**PF:**

≥0.9

**Input Voltage:**

120V

**Operating Frequency (Hz):**

60Hz

### LED Characteristics

**Lifespan:**

50,000-hour LED lifespan based on IES LM-80 results and TM-21 calculations

**LEDs:**

Long-life, high-efficacy, surface-mount LEDs

**Wattage Equivalency:**

60W Incandescent

**R9 Value:**

High color performance with R9 greater than or equal to 50

**Flicker:**

Silent and flicker free operations of less than 30%

### Construction

**IC Rated:**

Suitable for direct contact with insulation

**Air Tight:**

Housing certified Air Tight as per ASTM E283

**Edgelit Design:**

Allows for extremely thin fixture depth for any ceiling application

**Trim Style:**

Smooth Trim

**Housing:**

Made from precision die-cast aluminum construction, dissipates heat from electrical components

## Technical Specifications (continued)

### Construction

#### Cold Weather Starting:

The minimum starting temperature is -30°C (-22°F)

#### Maximum Ambient Temperature:

Suitable for use in 40°C (104°F)

#### Lens:

Frosted polycarbonate diffusion lens

#### Green Technology:

Mercury and UV free. RoHS-compliant components.

### Mounting:

Robust retention clips spring loaded tabs ensure the fixture is securely installed. Can be installed in 1/4" to 1 1/2" thick ceilings.

### Finish:

Matte White

### Optical

#### Beam Angle:

120°

### Other

#### Template:

Template included for easy ceiling cut out

### Warranty:

RAB warrants that our LED products will be free from defects in materials and workmanship for a period of five (5) years from the date of delivery to the end user, including coverage of light output, color stability, driver performance and fixture finish. RAB's warranty is subject to all terms and conditions found at [rablighting.com/warranty](http://rablighting.com/warranty).

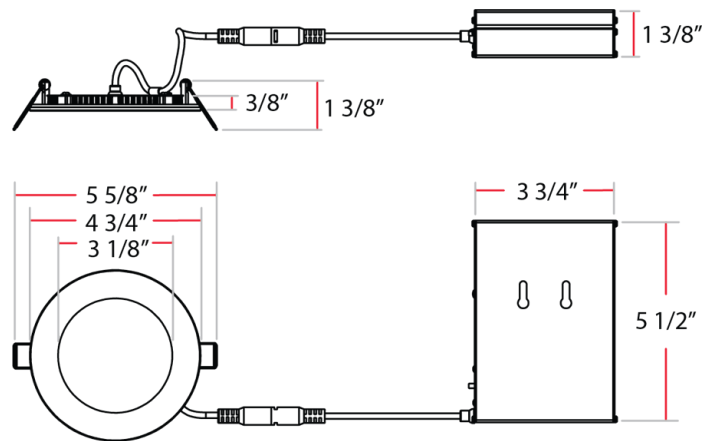
### Buy American Act Compliance:

RAB values USA manufacturing! Upon request, RAB may be able to manufacture this product to be compliant with the Buy American Act (BAA). Please contact customer service to request a quote for the product to be made BAA compliant.

## Case and Pallet Dimensions

	QTY	LENGTH	WIDTH	HEIGHT
CASE	6	12.13	7.91	6.14
PALLET	720	5.71	2.36	36.85

## Dimension



## Features

- 5 CCTs in 1 SKU
- Super slim Edge-lit fixture for thin fixture depth
- No recessed housing or J-box required
- New construction or retrofit applications
- UL wet location rated
- Smooth diffused uniform light distribution
- Dimmable down to 5% on compatible dimmers
- Spring loaded retention clips
- Robust, die cast aluminum construction
- IC and airtight rated
- 5-Year, No-Compromise Warranty

## Ordering Matrix

Family	Size	Shape	Wattage	CRI/Color Temp	Voltage	Finish	Trim
WFR	4	R	9	9FA	120	W	S
	4 = 4" 6 = 6"	R = Round	9 = 650lm 12 = 900lm	9FA = 90 CRI, Field Adjustable	120 = 120V	W = White	B = Baffle S = Smooth