



|                     |              |
|---------------------|--------------|
| <b>Project:</b>     | <b>Type:</b> |
| <b>Prepared By:</b> | <b>Date:</b> |

| Driver Info |                  | LED Info       |                  |
|-------------|------------------|----------------|------------------|
| Type        | Constant Current | Watts          | 9W               |
| 120V        | 0.10A            | Color Temp     | Field Adjustable |
| 208V        | N/A              | Color Accuracy | 90 CRI           |
| 240V        | N/A              | L70 Lifespan   | 50,000 Hours     |
| 277V        | N/A              | Lumens         | 644              |
| Input Watts | 9W               | Efficacy       | 66               |

## Technical Specifications

### Performance

#### Product Type:

Wafer Direct Mount

#### LEDs:

Edge-lit LED Technology

#### Color Temperature:

2700K | 3000K | 3500K | 4000K | 5000K

#### Input Wattage:

9W

#### Lumens:

630lm | 670lm | 700lm | 710lm | 710lm

#### Efficacy:

70 lm/W | 74.4 lm/W | 77.8 lm/W | 78.9 lm/W | 78.9 lm/W

#### Color Accuracy:

90 CRI

#### Dimmable:

TRIAC and ELV dimming compatibility

#### L70 Lifespan:

50,000-Hour LED lifespan based on IES LM-80 results and TM-21 calculations

#### Construction

#### Size:

4"

#### Shape:

Round

#### Enclosure Material:

Plastic

#### Finish:

White

#### Trim Style:

Baffle Trim

**Technical Specifications (continued)****Construction****Lens:**

Acrylic light guide distributes light evenly and smoothly for general lighting applications

**Gaskets:**

Gasket included can achieve restrictive airflow and wet location without any additional gasket or caulk

**Beam Angle:**

110°

**Electrical****THD:**

≤20%

**Power Factor:**

≥0.9

**Operating Temperature:**

-30°C - 40°C

**Input Voltage:**

120V

**Operating Frequency:**

60Hz

**Installation****Mounting:**

Tall spring towers allow to be installed in 3/8" up to 5/8" thick ceilings  
Round ceiling cutout template provided in box  
Heat treated springs hold fixture fitting securely in the ceiling eliminating light leaks  
Housing is less than 1/2" thick  
Can be removed from below the ceiling for service or replacement

**Remote Driver / Junction Box:**

Die formed metal driver / junction box with captive hinged junction box cover. Recessed CCT Selectable dipswitch. Listed for (6) #12 AWG 90° C splice conductors, 2-in, 2-out plus (2) ground. (4) 1/2" conduit pry-outs. (3) wire nuts for quick and reliable line voltage connections. Integral mounting facilitates direct mounting to building structure or mounting frame.

**Other****Equivalency:**

75W

**Technology EQ:**

Incandescent

**Buy American Act Compliance:**

RAB values USA manufacturing! Upon request, RAB may be able to manufacture this product to be compliant with the Buy American Act (BAA). Please contact customer service to request a quote for the product to be made BAA compliant.

**Compliance****Model Number:**

DLW0054(WFRL4R99FA120WB)

**Safety Listing:**

UL Listed

**Environment:**

Wet

**Fixture Rating:**

Enclosed

**Air Tight:**

Housing certified Air Tight as per ASTM E283

**IC Rated:**

Suitable for direct contact with insulation

**Energy Star ID:**

2365614

**T24 JA8 Compliant:**

Complies with Title 24 Appendix JA8

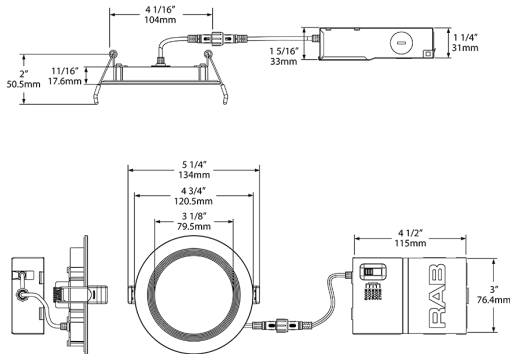
**RoHS:**

Mercury and UV free. RoHS-compliant components.

**FCC:**

Complies with Part 15 of the FCC Rules

## Dimensions



## Features

- 5 color temperatures in 1 SKU (2700K, 3000K, 3500K, 4000K, 5000K)
- Super slim Edge-lit fixture for thin fixture depth
- No recessed housing or J-box required
- New construction or retrofit applications
- UL wet location rated
- Smooth diffused uniform light distribution
- Dimmable down to 5% on compatible dimmers
- Spring loaded retention clips
- Robust, die cast aluminum construction
- IC and airtight rated
- 5-Year, No-Compromise Warranty

## Ordering Matrix

| Family | Size             | Shape     | Wattage                  | CRI/Color Temp                 | Voltage    | Finish    | Trim                     |
|--------|------------------|-----------|--------------------------|--------------------------------|------------|-----------|--------------------------|
| WFRL   | 4                | R         | 9                        | 9FA                            | 120        | W         | B                        |
|        | 4 = 4"<br>6 = 6" | R = Round | 9 = 630lm<br>13 = 1000lm | 9FA = 90 CRI, Field Adjustable | 120 = 120V | W = White | B = Baffle<br>S = Smooth |