



Kits to convert current and older models to glass or cutoff Wallpacks.

Color: Bronze

Weight: 5.6 lbs

Project:	Type:
Prepared By:	Date:

Technical Specifications

Construction

Conduit Openings:

Top, side and back.

Template:

Drilling template for easy wall box mounting.

Other

Buy American Act Compliant:

This product is a COTS item manufactured in the United States, and is compliant with the Buy American Act.

Recovery Act (ARRA) Compliant:

This product complies with the 52.225-21 "Required Use of American Iron, Steel, and Manufactured Goods-- Buy American Act-- Construction Materials (October 2010).

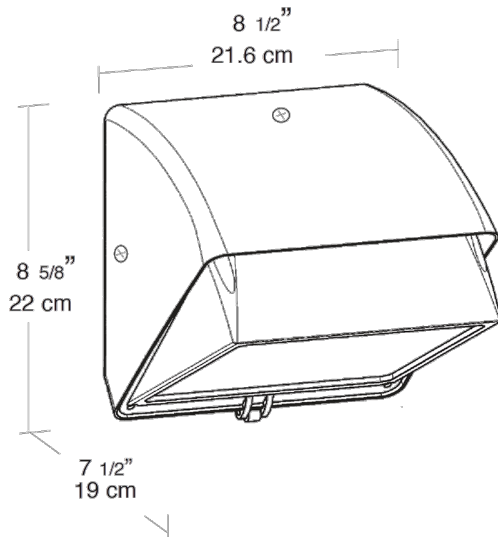
Trade Agreements Act Compliant:

This product is a COTS item manufactured in the United States, and is compliant with the Trade Agreements Act.

GSA Schedule:

Suitable in accordance with FAR Subpart 25.4.

Dimensions



Features

Accessories for Wallpacks offer damage prevention, replacement parts, and options to upgrade!