

Color: White

Weight: 4.4 lbs

Project:	Type:
Prepared By:	Date:

Driver Info		LED Info	
Type	Constant Current	Watts	26.00W
120V	0.22A	Color Temp	5000K (Cool)
208V	0.13A	Color Accuracy	76 CRI
240V	0.12A	L70 Lifespan	100,000
277V	0.10A	Lumens	4,044
Input Watts	27.70W	Efficacy	146 LPW
Efficiency	94%		

Technical Specifications

Listings

UL Listed:

Suitable for wet locations

IESNA LM-79 & IESNA LM-80 Testing:

RAB LED luminaires and LED components have been tested by an independent laboratory in accordance with IESNA LM-79 and LM-80.

DLC Listed:

This product is listed by Design Lights Consortium (DLC) as an ultra-efficient premium product that qualifies for the highest tier of rebates from DLC Member Utilities. DLC Product Code: P7YSU5M9

LED Characteristics

Lifespan:

100,000-hour LED lifespan based on IES LM-80 results and TM-21 calculations

LEDs:

Multip-chip, high-output, long-life LEDs

Construction

Cold Weather Starting:

Minimum starting temperature is -40°C (-40°F)

Maximum Ambient Temperature:

40°C (104°F)

Housing:

Die-cast aluminum

Reflector:

Aluminum Alloy

Lens:

Acrylic lens

Gaskets:

High-temperature silicone gaskets

Mounting:

Surface mount

Finish:

Formulated for high durability and long-lasting color

Green Technology:

Mercury and UV free. RoHS-compliant components.

Electrical

Drivers:

Constant Current, 120-277V, 50/60 Hz, 120V: 0.22A, 208V: 0.13A, 240V: 0.12A, 277V: 0.10A

Dimming Driver:

Driver includes dimming control wiring for 0-10V dimming systems. Requires separate 0-10V DC dimming circuit. Dims as low as 10%.

THD:

9.3% at 120V, 17.7% at 277V

Power Factor:

99% at 120V, 89% at 277V

Surge Protection:

2kV

Technical Specifications (continued)

Electrical

Note:

All values are typical (tolerance +/- 10%)

Other

Warranty:

RAB warrants that our LED products will be free from defects in materials and workmanship for a period of ten (10) years from the date of delivery to the end user, including coverage of light output, color stability, driver performance and fixture finish. RAB's warranty is subject to all terms and conditions found at rablighting.com/warranty.

Buy American Act Compliance:

RAB values USA manufacturing! Upon request, RAB may be able to manufacture this product to be compliant with the Buy American Act (BAA). Please contact customer service to request a quote for the product to be made BAA compliant.

Sensor Specifications

Capacitance Load:

400VA at 120VAC, 800VA at 230VAC, 1000VA at 277VAC

Operating Temperature:

-20°C to +60°C (-4°F to +140°F)

Relay:

Zero-cross relay

Maximum Mounting Height:

16.4 feet

Customizable Detection Area:

10, 50, 75 or 100%

Time Delay:

5s, 30s, 1min, 5min, 10min, 20min, 30min

Cut Off Period:

0s, 10s, 1min, 5min, 10min, 30min, 1hr, Bi-Level

Cut-Off Dimming level:

10, 20, 30, 50%

Cut-Off Power:

Less than 1W

Daylight Threshold:

About .2-5 fc for disabled

Sensor Principle:

High Frequency

Microwave Frequency:

5.8GHz +/- 75MHz

Microwave Power:

<0.2mW

Max Detection Range:

26 ft. diameter at 16 ft. mounting height

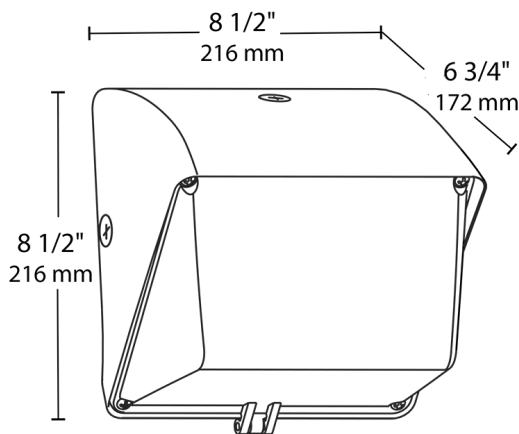
Detection Angle:

About 30 to 150 degrees

Remote Control:

Adjust settings using remote control (catalog# MVSREM). Only available with 0-10V dimming driver options. [Remote control available here.](#)

Dimensions



Features

- Affordable wall pack with traditional look
- Ultra-high efficacy
- Covers footprint of small HID wall packs
- 100,000-Hour LED lifespan

Ordering Matrix

Family	Lumen Pack Wattage		CRI/Color Temp	Finish	Voltage	Options
WP1LED	39L	-	750	W	U	/MVS
	39L = 3900lumens, 26W		750 = 70 CRI, 5000K 740 = 70 CRI, 4000K 730 = 70 CRI, 3000K	Blank = Bronze W = White	U = 120-277V, 0-10V Dimming H = 480V, 0-10V Dimming	Blank = No Options /PCU = 120-277V Button Photocell /PCS = 120V Swivel Photocell /PCS2 = 208V-277V Swivel Photocell /PCS4 = 480V Swivel Photocell /MVS = 120-277V Microwave Sensor /LC = Lightcloud® Controller /E2 = Emergency Battery Backup