



Available in 55W, 65W, 82W, and 110W models with up to 15,531 lumens and 144 LPW. Covered by RAB's 5-year no-compromise warranty.

Color: Bronze

Weight: 23.4 lbs

Project:

Type:

Prepared By:

Date:

Driver Info

Type: Constant Current
 120V: 1.1A
 208V: 0.57A
 240V: 0.5A
 277V: 0.38A
 Input Watts: 107W
 Efficiency: N/A

LED Info

Watts: 110W
 Color Temp: 5000K
 Color Accuracy: 79 CRI
 L70 Lifespan: 100000
 Lumens: 15113
 Efficacy: 141 LPW

Technical Specifications

Listings

UL Listing:

Suitable for wet locations. Wall mount only.

DLC Listed:

This product is on the Design Lights Consortium (DLC) Qualified Products List and is eligible for rebates from DLC Member Utilities.

DLC Product Code: PCJRZRX Y

IESNA LM-79 & LM-80 Testing:

RAB LED luminaires have been tested by an independent laboratory in accordance with IESNA LM-79 and LM-80, and have received the Department of Energy "Lighting Facts" label.

Electrical

Driver:

Constant Current, Class 2, 120-277V, 50/60Hz, 120V: 1.1A, 208V: 0.57A, 240V: 0.5A, 277V: 0.38A

THD:

4.7% at 120V, 9.3% at 277V

Power Factor:

99.8% at 120V, 97% at 277V

Surge Protection:

4kV

LED Characteristics

LEDs:

Long-life, high-efficiency, surface mount LEDs.

Color Stability:

LED color temperature is warranted to shift no more than 200K in CCT over a 5 year period.

Color Uniformity:

RAB's range of CCT (Correlated Color Temperature) follows the guidelines of the American National Standard for Specifications for the Chromaticity of Solid State Lighting (SSL) Products, ANSI C78.377-2017.

Construction

Thermal Management:

Superior thermal management with die-cast aluminum heatsink

Maximum Ambient Temperature:

Suitable for use in 40°C (104°F) ambient temperatures

Cold Weather Starting:

Minimum starting temperature is -40°C (-40°F)

Housing:

Precision die-cast aluminum housing.

Mounting:

Die-cast backbox with four (4) conduit entry points and knockout pattern for junction box or direct wall mounting. Hinged door for easy re-assembly.

Lens:

Prismatic, heat-resistant borosilicate glass

Gaskets:

High-temperature silicone gaskets

Finish:

Formulated for high-durability and long lasting color.

Green Technology:

Mercury and UV free. RoHS compliant components. Polyester powder coat finish formulated without the use of VOC or toxic heavy metals.

Optical

BUG Rating:

B2 U5 G5

Other

Replacement:

Replaces 400W Metal Halide

Warranty:

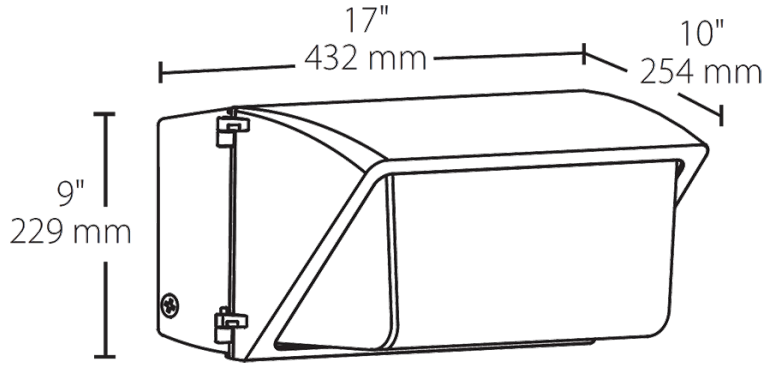
RAB warrants that our LED products will be free from defects in materials and workmanship for a period of five (5) years from the date of delivery to the end user, including coverage of light output, color stability, driver performance and fixture finish. See our full warranty

Buy American Act Compliance:

RAB values USA manufacturing! Upon request, RAB may be able to manufacture this product to be compliant with the Buy American Act (BAA). Please contact customer service to request a quote for the product to be made BAA compliant.

WP3LED110

Dimensions



Features

- Affordable wallpack with traditional look
- Covers footprint of traditional HID wallpacks
- Optional photocell (button or swivel) available
- 480V models available

Ordering Matrix

| Family | Wattage | Color Temp | Finish | Driver Options | Photocell Options |
|--------|----------------------------------|---|-----------------------------|---------------------------------|--|
| WP3LED | 110 | | | | |
| | 82 = 82W 65 = 65W 55 = 55W | Blank = 5000K (Cool) Y = 3000K (Warm) N = 4000K (Neutral) | Blank = Bronze W = White | Blank = 120-277V /480 = 480V | Blank = No Option /PC = 120V Button /PCS = 120V Swivel /PC2 = 277V Button /PCS2 = 277V Swivel /PCS4 = 480V Swivel /PCT4 = 480V Twistlock |