



Available in 55W, 65W, 82W, and 110W models with up to 15,531 lumens and 144 LPW. Covered by RAB's 5-year no-compromise warranty.

Color: White

Weight: 23.4 lbs

**Project:**

**Type:**

**Prepared By:**

**Date:**

### Driver Info

Type: Constant Current  
 120V: 1.1A  
 208V: 0.57A  
 240V: 0.5A  
 277V: 0.38A  
 Input Watts: 108W  
 Efficiency: N/A

### LED Info

Watts: 110W  
 Color Temp: 4000K  
 Color Accuracy: 73 CRI  
 L70 Lifespan: 100000  
 Lumens: 15531  
 Efficacy: 144 LPW

## Technical Specifications

### Listings

#### UL Listing:

Suitable for wet locations. Wall mount only.

#### DLC Listed:

This product is on the Design Lights Consortium (DLC) Qualified Products List and is eligible for rebates from DLC Member Utilities.

DLC Product Code: PYUE93QR

#### IESNA LM-79 & LM-80 Testing:

RAB LED luminaires have been tested by an independent laboratory in accordance with IESNA LM-79 and LM-80, and have received the Department of Energy "Lighting Facts" label.

### Electrical

#### Driver:

Constant Current, Class 2, 120-277V, 50/60Hz, 120V: 1.1A, 208V: 0.57A, 240V: 0.5A, 277V: 0.38A

#### THD:

4.7% at 120V, 9.3% at 277V

#### Power Factor:

99.8% at 120V, 97% at 277V

#### Surge Protection:

4kV

### LED Characteristics

#### LEDs:

Long-life, high-efficiency, surface mount LEDs.

#### Color Stability:

LED color temperature is warranted to shift no more than 200K in CCT over a 5 year period.

#### Color Uniformity:

RAB's range of CCT (Correlated Color Temperature) follows the guidelines of the American National Standard for Specifications for the Chromaticity of Solid State Lighting (SSL) Products, ANSI C78.377-2017.

### Construction

#### Thermal Management:

Superior thermal management with die-cast aluminum heatsink

#### Maximum Ambient Temperature:

Suitable for use in 40°C (104°F) ambient temperatures

#### Cold Weather Starting:

Minimum starting temperature is -40°C (-40°F)

#### Housing:

Precision die-cast aluminum housing.

#### Mounting:

Die-cast backbox with four (4) conduit entry points and knockout pattern for junction box or direct wall mounting. Hinged door for easy re-assembly.

#### Lens:

Prismatic, heat-resistant borosilicate glass

#### Gaskets:

High-temperature silicone gaskets

#### Finish:

Formulated for high-durability and long lasting color.

#### Green Technology:

Mercury and UV free. RoHS compliant components. Polyester powder coat finish formulated without the use of VOC or toxic heavy metals.

### Optical

#### BUG Rating:

B2 U5 G5

#### Other

#### Replacement:

Replaces 400W Metal Halide

#### Warranty:

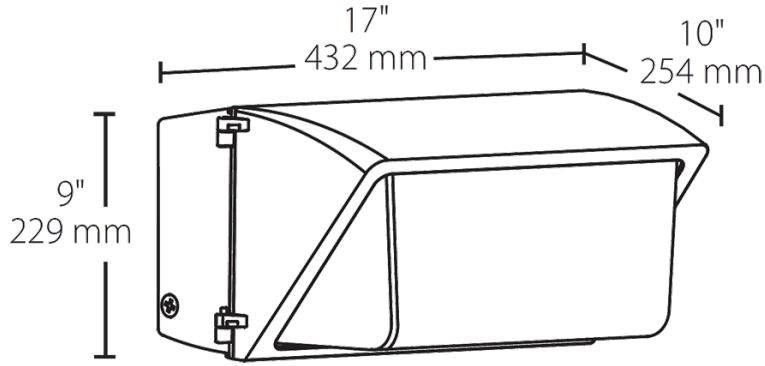
RAB warrants that our LED products will be free from defects in materials and workmanship for a period of five (5) years from the date of delivery to the end user, including coverage of light output, color stability, driver performance and fixture finish. See our full warranty

#### Buy American Act Compliance:

RAB values USA manufacturing! Upon request, RAB may be able to manufacture this product to be compliant with the Buy American Act (BAA). Please contact customer service to request a quote for the product to be made BAA compliant.

# WP3LED110NW/PCS

## Dimensions



## Features

- Affordable wallpack with traditional look
- Covers footprint of traditional HID wallpacks
- Optional photocell (button or swivel) available
- 480V models available

## Ordering Matrix

Family	Wattage	Color Temp	Finish	Driver Options	Photocell Options
WP3LED	110	N	W		/PCS
	82 = 82W 65 = 65W 55 = 55W	Blank = 5000K (Cool) Y = 3000K (Warm) N = 4000K (Neutral)	Blank = Bronze W = White	Blank = 120-277V /480 = 480V	Blank = No Option /PC = 120V Button /PCS = 120V Swivel /PC2 = 277V Button /PCS2 = 277V Swivel /PCS4 = 480V Swivel /PCT4 = 480V Twistlock