



Color: Bronze

Weight: 11.1 lbs

**Project:**

**Type:**

**Prepared By:**

**Date:**

### Driver Info

Type	Constant Current
120V	0.54A
208V	0.32A
240V	0.28A
277V	0.24A
Input Watts	62.00W
Efficiency	N/A

### LED Info

Watts	65.00W
Color Temp	3000K (Warm)
Color Accuracy	72 CRI
L70 Lifespan	100,000
Lumens	8,842
Efficacy	142.6 LPW

## Technical Specifications

### Listings

#### UL Listed:

Suitable for wet locations

#### IESNA LM-79 & IESNA LM-80 Testing:

RAB LED luminaires and LED components have been tested by an independent laboratory in accordance with IESNA LM-79 and LM-80.

#### DLC Listed:

This product is listed by Design Lights Consortium (DLC) as an ultra-efficient premium product that qualifies for the highest tier of rebates from DLC Member Utilities. DLC Product Code: PYH0GJJM

### LED Characteristics

#### Lifespan:

100,000-hour LED lifespan based on IES LM-80 results and TM-21 calculations

#### LEDs:

Multip-chip, high-output, long-life LEDs

### Construction

#### Cold Weather Starting:

The minimum starting temperature is -30°C (-22°F)

#### Maximum Ambient Temperature:

40°C (104°F)

### Housing:

Die-cast aluminum

### Reflector:

Aluminum Alloy

### Lens:

Glass

### Gaskets:

High-temperature silicone gaskets

### Mounting:

Surface mount

### Finish:

Formulated for high durability and long-lasting color

### Green Technology:

Mercury and UV free. RoHS-compliant components.

### Electrical

#### Drivers:

Constant Current, 120-277V, 50/60 Hz, 120V: 0.54A, 208V: 0.32A, 240V: 0.28A, 277V: 0.24A

#### Dimming Driver:

Driver includes dimming control wiring for 0-10V dimming systems. Requires separate 0-10V DC dimming circuit. Dims as low as 10%.

#### THD:

7.4% at 120V, 7.7% at 277V

#### Power Factor:

99.7% at 120V, 94.2% at 277V

#### Surge Protection:

4kV

**Technical Specifications (continued)**

**Electrical**

**Note:**

All values are typical (tolerance +/- 10%)

**Other**

**Warranty:**

RAB warrants that our LED products will be free from defects in materials and workmanship for a period of ten (10) years from the date of delivery to the end user, including coverage of light output, color stability, driver performance and fixture finish. RAB's warranty is subject to all terms and conditions found at [rablighting.com/warranty](http://rablighting.com/warranty).

**Buy American Act Compliance:**

RAB values USA manufacturing! Upon request, RAB may be able to manufacture this product to be compliant with the Buy American Act (BAA). Please contact customer service to request a quote for the product to be made BAA compliant.

**Sensor Specifications**

**Capacitance Load:**

400VA at 120VAC, 800VA at 230VAC, 1000VA at 277VAC

**Operating Temperature:**

-20°C to +60°C (-4°F to +140°F)

**Relay:**

Zero-cross relay

**Maximum Mounting Height:**

16.4 feet

**Customizable Detection Area:**

10, 50, 75 or 100%

**Time Delay:**

5s, 30s, 1min, 5min, 10min, 20min, 30min

**Cut Off Period:**

0s, 10s, 1min, 5min, 10min, 30min, 1hr, Bi-Level

**Cut-Off Dimming level:**

10, 20, 30, 50%

**Cut-Off Power:**

Less than 1W

**Daylight Threshold:**

About .2-5 fc for disabled

**Sensor Principle:**

High Frequency

**Microwave Frequency:**

5.8GHz +/- 75MHz

**Microwave Power:**

<0.2mW

**Max Detection Range:**

26 ft. diameter at 16 ft. mounting height

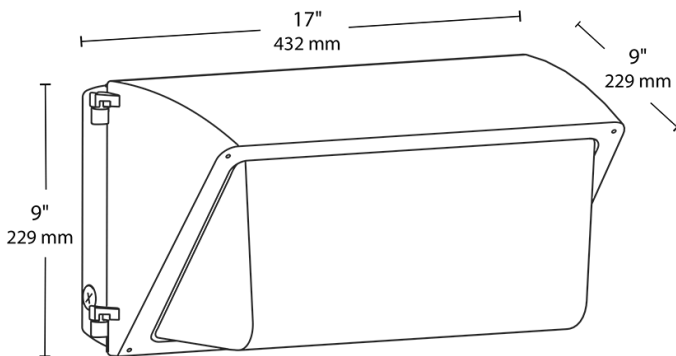
**Detection Angle:**

About 30 to 150 degrees

**Remote Control:**

Adjust settings using remote control (catalog# MVSREM). Only available with 0-10V dimming driver options. [Remote control available here.](#)

**Dimensions**



**Features**

- Affordable wall pack with traditional look
- Ultra-high efficacy
- Covers footprint of large HID wall packs
- 100,000-Hour LED lifespan

## Ordering Matrix

Family	Lumen Pack Wattage		CRI/Color Temp	Finish	Voltage	Options
WP3LED	93L	-	730		U	/MVS
	<b>75L</b> = 7500lumens, 51W <b>83L</b> = 8300lumens, 55W <b>93L</b> = 9300lumens, 65W <b>150L</b> = 15,000lumens, 100W		<b>750</b> = 70 CRI, 5000K <b>740</b> = 70 CRI, 4000K <b>730</b> = 70 CRI, 3000K	<b>Blank</b> = Bronze <b>W</b> = White	<b>U</b> = 120-277V, 0-10V Dimming <b>H</b> = 480V, 0-10V Dimming	<b>Blank</b> = No Options <b>/PCU</b> = 120-277V Button Photocell <b>/PCS</b> = 120V Swivel Photocell <b>/PCS2</b> = 208V-277V Swivel Photocell <b>/PCS4</b> = 480V Swivel Photocell <b>/MVS</b> = 120-277V Microwave Sensor <b>/LC</b> = Lightcloud® Controller <b>/E2</b> = 120-277V Battery Backup