



LED Wallpacks for solar applications or other 10-30 VDC systems. Perfect for off-grid, remote-area lighting. Up to 85% more efficient than line voltage AC solutions. Available in 10, 13, 20 and 26 Watt.

Color: White

Weight: 3.3 lbs

Project:	Type:
Prepared By:	Date:

Driver Info		LED Info	
Type:	DC to DC	Watts:	10W
120V:	N/A	Color Temp:	5000K
208V:	N/A	Color Accuracy:	92 CRI
240V:	N/A	L70 Lifespan:	100000
277V:	N/A	Lumens:	547
Input Watts:	10W	Efficacy:	55 LPW
Efficiency:	N/A		

Technical Specifications

LED Characteristics

Lifespan:

100,000-hour LED lifespan based on IES LM-80 results and TM-21 calculations.

Color Consistency:

7-step MacAdam Ellipse binning to achieve consistent fixture-to-fixture color.

Color Stability:

LED color temperature is warranted to shift no more than 200K in CCT over a 5 year period.

Color Accuracy:

92 CRI

Color Temperature (Nominal CCT):

5000K

Color Uniformity:

RAB's range of CCT (Correlated Color Temperature) follows the guidelines of the American National Standard for Specifications for the Chromaticity of Solid State Lighting (SSL) Products, ANSI C78.377-2015.

Electrical

Electrical Input Specifications:

Max Watts = 10W; Input Volts = 10-30 VDC; Operating Amps = 1.3 - 0.4A.

Construction

Cold Weather Starting:

The minimum starting temperature is -40°C/-40°F

Maximum Ambient Temperature:

Suitable for use in 40°C (104°F) ambient temperatures

Thermal Management:

Die-cast aluminum Thermal Management system for optimal heat dissipation.

Housing:

Die-cast aluminum housing, lens frame and mounting arm.

Mounting:

Junction box.

Reflector:

Specular aluminum.

Gaskets:

High-temperature silicone gaskets.

Finish:

Our environmentally friendly polyester powder coatings are formulated for high-durability and long-lasting color, and contains no VOC or toxic heavy metals.

Green Technology:

Mercury and UV free. RoHS compliant components. Polyester powder coat finish formulated without the use of VOC or toxic heavy metals.

Other

Buy American Act Compliant:

This product is a COTS item manufactured in the United States, and is compliant with the Buy American Act.

Recovery Act (ARRA) Compliant:

This product complies with the 52.225-21 "Required Use of American Iron, Steel, and Manufactured Goods-- Buy American Act-- Construction Materials (October 2010).

Trade Agreements Act Compliant:

This product is a COTS item manufactured in the United States, and is compliant with the Trade Agreements Act.

GSA Schedule:

Suitable in accordance with FAR Subpart 25.4.

California Title 24:

LPACK complies with California Title 24 building and electrical codes.

For Use on LEED Buildings:

IDA Dark Sky Approval means that these fixtures can be used to achieve LEED Credits for Light Pollution Reduction.

Patents:

The design of the LPACK is protected by US patents pending in US., Canada, China, Taiwan & Mexico.

Optical

Fixture Efficacy:

41 Lumens per Watt

BUG Rating:

B0 U0 G0

Listings

IESNA LM-79 & LM-80 Testing:

RAB LED luminaires have been tested by an independent laboratory in accordance with IESNA LM-79 and LM-80, and have received the Department of Energy "Lighting Facts" label.

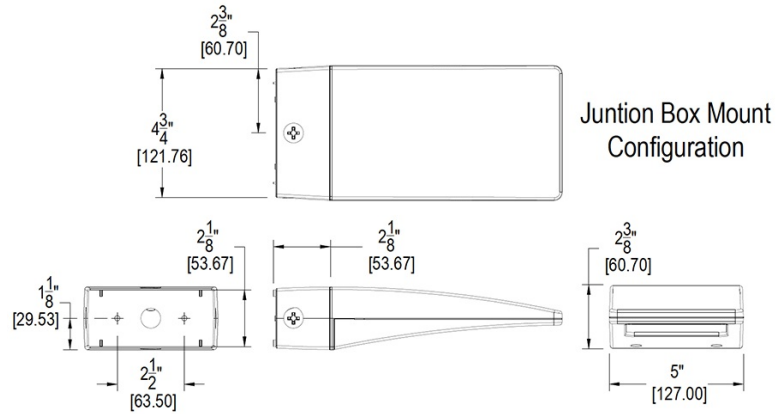
Technical Specifications (continued)

Listings

Dark Sky Approved:

The International Dark Sky Association has approved these products as full cutoff, fully shielded luminaires.

Dimensions



Features

- Low voltage DC
- Ideal for solar applications
- Up to 85% more energy efficient
- No energy-loss from DC-AC inverter
- Enables off-grid, remote-area lighting
- 5-year warranty

Ordering Matrix

Family	Watts	Direct Current	Finish
WPLED	10 = 10W 13 = 13W	DC = Direct Current	Blank = Bronze W = White