



Ultra high output, high efficiency 125 Watt LED wallpacks. Patent Pending airflow technology ensures long LED and driver lifespan. 5 Year Warranty.

Color: Bronze

Weight: 34.8 lbs

**Project:**

**Type:**

**Prepared By:**

**Date:**

### Driver Info

|              |                  |
|--------------|------------------|
| Type:        | Constant Current |
| 120V:        | N/A              |
| 208V:        | N/A              |
| 240V:        | N/A              |
| 277V:        | N/A              |
| Input Watts: | 133W             |
| Efficiency:  | 94%              |

### LED Info

|                 |        |
|-----------------|--------|
| Watts:          | 125W   |
| Color Temp:     | 5000K  |
| Color Accuracy: | 67 CRI |
| L70 Lifespan:   | 100000 |
| Lumens:         | 12,636 |
| Efficacy:       | 95 LPW |

## Technical Specifications

### Electrical

#### Photocell:

480V Swivel Photocell Included. Photocell is only compatible with 480V.

#### Drivers:

Two Drivers, Constant Current, Class 2, 1750mA, 347-480V, 50/60Hz, 0.30A, Power Factor 94%

#### THD:

14.1% at 480V

#### Ballast Volts:

480V

### Listings

#### UL Listing:

Suitable for wet locations.

#### IESNA LM-79 & LM-80 Testing:

RAB LED luminaires have been tested by an independent laboratory in accordance with IESNA LM-79 and LM-80, and have been received the Department of Energy "Lighting Facts" label.

#### Dark Sky Approved:

The International Dark Sky Association has approved this product as a full cutoff, fully shielded luminaire.

#### DLC Listed:

This product is on the Design Lights Consortium (DLC) Qualified Products List and is eligible for rebates from DLC Member Utilities.  
DLC Product Code: PCVWCC3B

### LED Characteristics

#### Lifespan:

100,000-hour LED lifespan based on IES LM-80 results and TM-21 calculations.

#### LEDs:

Multi-chip, high-output, long-life LEDs

#### Color Consistency:

7-step MacAdam Ellipse binning to achieve consistent fixture-to-fixture color.

#### Color Stability:

LED color temperature is warranted to shift no more than 200K in CCT over a 5 year period.

#### Color Uniformity:

RAB's range of CCT (Correlated Color Temperature) follows the guidelines of the American National Standard for Specifications for the Chromaticity of Solid State Lighting (SSL) Products, ANSI C78.377-2011.

### Construction

#### IES Classification:

The Type II distribution is ideal for wide walkways, on ramps and entrance roadways, bike paths and other long and narrow lighting applications. This type is meant for lighting larger areas and usually is located near the roadside. This type of lighting is commonly found on smaller side streets or jogging paths.

#### IP Rating:

Ingress Protection rating of IP66 for dust and water.

#### Maximum Ambient Temperature:

Suitable for use in 40°C (104°F) ambient temperatures

#### Cold Weather Starting:

The minimum starting temperature is -40°C/-40°F

#### Thermal Management:

Superior thermal management with external Air-Flow fins.

#### Housing:

Die-cast aluminum housing, lens frame and mounting arm

#### Mounting:

Heavy-duty mounting arm with "O" ring seal & stainless steel screws

#### Reflector:

Specular vacuum-metallized polycarbonate

#### Gaskets:

High-temperature silicone gaskets

#### Finish:

Our environmentally friendly polyester powder coatings are formulated for high-durability and long-lasting color, and contains no VOC or toxic heavy metals.

#### Green Technology:

Mercury and UV free. RoHS compliant components. Polyester powder coat finish formulated without the use of VOC or toxic heavy metals.

#### For use on LEED Buildings:

IDA Dark Sky Approval means that this fixture can be used to achieve LEED Credits for Light Pollution Reduction.

### Other

#### California Title 24:

WPLED2T125/PCS4 complies with 2013 California Title 24 building and electrical codes as a commercial outdoor pole-mounted fixture > 30 Watts mounted at height greater than 24 feet. For mounting heights < 24 feet see WPLED2T125/BL with bi-level operation; additional component requirements will be listed in the Title 24 section under technical specifications on the product page.

## Technical Specifications (continued)

### Other

#### Warranty:

RAB warrants that our LED products will be free from defects in materials and workmanship for a period of five (5) years from the date of delivery to the end user, including coverage of light output, color stability, driver performance and fixture finish.

#### Patents:

The design of WPLED125 is protected by patents pending in US, Canada, China, Taiwan and Mexico.

#### Country of Origin:

Designed by RAB in New Jersey and assembled in the USA by RAB's IBEW Local 3 workers.

#### Buy American Act Compliant:

This product is a COTS item manufactured in the United States, and is compliant with the Buy American Act.

#### Recovery Act (ARRA) Compliant:

This product complies with the 52.225-21 "Required Use of American Iron, Steel, and Manufactured Goods-- Buy American Act-- Construction Materials (October 2010).

#### Trade Agreements Act Compliant:

This product is a COTS item manufactured in the United States, and is compliant with the Trade Agreements Act.

#### GSA Schedule:

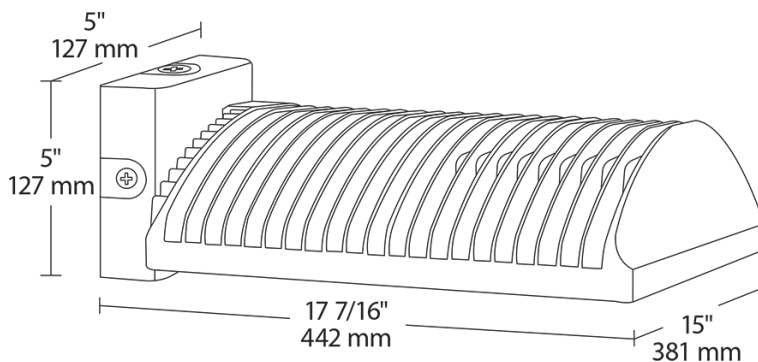
Suitable in accordance with FAR Subpart 25.4.

#### Optical

#### BUG Rating:

B2 U0 G2

### Dimensions



### Features

- High output, high efficiency LED
- Maintains 70% of initial lumens at 100,000 hours
- Weatherproof high temperature silicone gaskets
- Superior heat sinking with die cast aluminum housing and external fins
- 100 up to 277 Volts
- 5-year warranty

### Ordering Matrix

| Family | Distribution  | Watts | Color Temp          | Mount          | Finish    | Voltage     | Photocell                 | Dimming         | Sensor  | Bi-Level       |
|--------|---------------|-------|---------------------|----------------|-----------|-------------|---------------------------|-----------------|---|----------------|
| WPLED  |               |       |                     |                |           |             |                           |                 |   |                |
|        | 2T = Type II  | 125 = | Blank =             | Blank =        | Blank =   | Blank =     | Blank = No                | Blank = No      | /WS4 = Multi-Level Motion Sensor (Only available for 120-277V with /D10 for 125W) | Blank = No     |
|        | 3T = Type III | 125W  | 5000K (Cool)        | Standard       | Bronze    | 120-277V    | Photocell                 | Dimming         |   | Bi-Level       |
|        | 4T = Type IV  |       | Y = 3000K (Warm)    | FX = Flat Wall | W = White | /480 = 480V | /PC = 120V Button         | /D10 = Dimmable |   | /BL = Bi-Level |
|        |               |       | N = 4000K (Neutral) |                |           |             | /PC2 = 277 Button         |                 |   |                |
|        |               |       |                     |                |           |             | /PCS = 120V Swivel        |                 |   |                |
|        |               |       |                     |                |           |             | /PCS2 = 277V Swivel       |                 |   |                |
|        |               |       |                     |                |           |             | /PCT = 120-277V Twistlock |                 |   |                |
|        |               |       |                     |                |           |             | /PCS4 = 480V Swivel       |                 |   |                |
|        |               |       |                     |                |           |             | /PCT4 = 480V Twistlock    |                 |   |                |