



Ultra high output, high efficiency 125 Watt LED wallpacks. Patent Pending airflow technology ensures long LED and driver lifespan. 5 Year Warranty.

Color: White

Weight: 34.8 lbs

**Project:**

**Type:**

**Prepared By:**

**Date:**

**Driver Info**

Type: Constant Current  
 120V: 1.12A  
 208V: N/A  
 240V: N/A  
 277V: N/A  
 Input Watts: 134W  
 Efficiency: 93%

**LED Info**

Watts: 125W  
 Color Temp: 5000K  
 Color Accuracy: 65 CRI  
 L70 Lifespan: 100000  
 Lumens: 10,893  
 Efficacy: 81 LPW

## Technical Specifications

**Electrical**

**Photocell:**

120V Swivel Photocell Included. Photocell is only compatible with 120V.

**Drivers:**

Two Drivers, Constant Current, Class 2, 1750mA, 100-277V, 50/60Hz, 1.1A, Power Factor 99%

**THD:**

5.5% at 120V, 15.6% at 277V

**Listings**

**UL Listing:**

Suitable for wet locations.

**IESNA LM-79 & LM-80 Testing:**

RAB LED luminaires have been tested by an independent laboratory in accordance with IESNA LM-79 and LM-80, and have been received the Department of Energy "Lighting Facts" label.

**Dark Sky Approved:**

The International Dark Sky Association has approved this product as a full cutoff, fully shielded luminaire.

**LED Characteristics**

**Lifespan:**

100,000-hour LED lifespan based on IES LM-80 results and TM-21 calculations.

**LEDs:**

Multi-chip, high-output, long-life LEDs

**Color Consistency:**

7-step MacAdam Ellipse binning to achieve consistent fixture-to-fixture color.

**Color Stability:**

LED color temperature is warranted to shift no more than 200K in CCT over a 5 year period.

**Color Uniformity:**

RAB's range of CCT (Correlated Color Temperature) follows the guidelines of the American National Standard for Specifications for the Chromaticity of Solid State Lighting (SSL) Products, ANSI C78.377-2011.

**Construction**

**IES Classification:**

The Type III distribution is ideal for roadway, general parking and other area lighting applications where a larger pool of lighting is required. It is intended to be located near the side of the area, allowing the light to project outward and fill the area.

**IP Rating:**

Ingress Protection rating of IP66 for dust and water.

**Maximum Ambient Temperature:**

Suitable for use in 40°C (104°F) ambient temperatures

**Cold Weather Starting:**

The minimum starting temperature is -40°C/-40°F

**Thermal Management:**

Superior thermal management with external Air-Flow fins.

**Housing:**

Die-cast aluminum housing, lens frame and mounting arm

**Mounting:**

Heavy-duty mounting arm with "O" ring seal & stainless steel screws

**Reflector:**

Specular vacuum-metallized polycarbonate

**Gaskets:**

High-temperature silicone gaskets

**Finish:**

Our environmentally friendly polyester powder coatings are formulated for high-durability and long-lasting color, and contains no VOC or toxic heavy metals.

**Green Technology:**

Mercury and UV free. RoHS compliant components. Polyester powder coat finish formulated without the use of VOC or toxic heavy metals.

**For use on LEED Buildings:**

IDA Dark Sky Approval means that this fixture can be used to achieve LEED Credits for Light Pollution Reduction.

**Other**

**California Title 24:**

WPLED3T125/PCS complies with 2013 California Title 24 building and electrical codes as a commercial outdoor pole-mounted fixture > 30 Watts mounted at height greater than 24 feet. For mounting heights < 24 feet see WPLED3T125/BL with bi-level operation; additional component requirements will be listed in the Title 24 section under technical specifications on the product page.

**Warranty:**

RAB warrants that our LED products will be free from defects in materials and workmanship for a period of five (5) years from the date of delivery to the end user, including coverage of light output, color stability, driver performance and fixture finish.

**Patents:**

The design of WPLED125 is protected by patents pending in US, Canada, China, Taiwan and Mexico.

## Technical Specifications (continued)

### Other

#### Country of Origin:

Designed by RAB in New Jersey and assembled in the USA by RAB's IBEW Local 3 workers.

#### Buy American Act Compliant:

This product is a COTS item manufactured in the United States, and is compliant with the Buy American Act.

#### Recovery Act (ARRA) Compliant:

This product complies with the 52.225-21 "Required Use of American Iron, Steel, and Manufactured Goods-- Buy American Act-- Construction Materials (October 2010).

#### Trade Agreements Act Compliant:

This product is a COTS item manufactured in the United States, and is compliant with the Trade Agreements Act.

#### GSA Schedule:

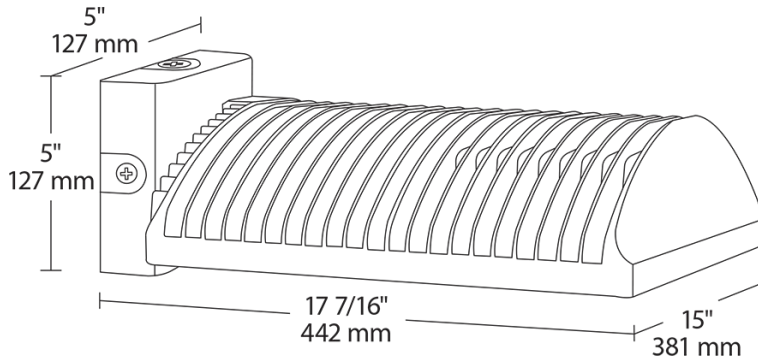
Suitable in accordance with FAR Subpart 25.4.

#### Optical

#### BUG Rating:

B1 U0 G2

### Dimensions



### Features

- High output, high efficiency LED
- Maintains 70% of initial lumens at 100,000 hours
- Weatherproof high temperature silicone gaskets
- Superior heat sinking with die cast aluminum housing and external fins
- 100 up to 277 Volts
- 5-year warranty

### Ordering Matrix

Family	Distribution	Watts	Color Temp	Mount	Finish	Voltage	Photocell	Dimming	Sensor	Bi-Level
WPLED										
2T = Type II	125 =	Blank =	Blank =	Blank =	Blank =	Blank = No	Blank = No	/WS4 = Multi-Level Motion Sensor (Only available for 120-277V with /D10 for 125W)	Blank = No	Blank = No
3T = Type III	125W	5000K (Cool)	Standard	Bronze	120-277V	Photocell	Dimming		Bi-Level	
4T = Type IV		Y = 3000K (Warm) N = 4000K (Neutral)	FX = Flat Wall	W = White	/480 = 480V	/PC = 120V Button /PC2 = 277 Button /PCS = 120V Swivel /PCS2 = 277V Swivel /PCT = 120-277V Twistlock /PCS4 = 480V Swivel /PCT4 = 480V Twistlock	/D10 = Dimmable		/BL = Bi-Level	