



Ultra high output, high efficiency 125 Watt LED wallpacks. Patent Pending airflow technology ensures long LED and driver lifespan. 5 Year Warranty.

Color: White

Weight: 34.8 lbs

**Project:**

**Type:**

**Prepared By:**

**Date:**

### Driver Info

Type: Constant Current  
 120V: N/A  
 208V: 0.70A  
 240V: 0.61A  
 277V: 0.52A  
 Input Watts: 134W  
 Efficiency: 93%

### LED Info

Watts: 125W  
 Color Temp: 5000K  
 Color Accuracy: 65 CRI  
 L70 Lifespan: 100000  
 Lumens: 10,893  
 Efficacy: 81 LPW

## Technical Specifications

### Electrical

#### Photocell:

277V Swivel Photocell Included. Photocell is compatible with 208V-277V.

#### Drivers:

Two Drivers, Constant Current, Class 2, 1750mA, 100-277V, 50/60Hz, 1.1A, Power Factor 99%

#### THD:

5.5% at 120V, 15.6% at 277V

### Listings

#### UL Listing:

Suitable for wet locations.

#### IESNA LM-79 & LM-80 Testing:

RAB LED luminaires have been tested by an independent laboratory in accordance with IESNA LM-79 and LM-80, and have been received the Department of Energy "Lighting Facts" label.

#### Dark Sky Approved:

The International Dark Sky Association has approved this product as a full cutoff, fully shielded luminaire.

### LED Characteristics

#### Lifespan:

100,000-hour LED lifespan based on IES LM-80 results and TM-21 calculations.

#### LEDs:

Multi-chip, high-output, long-life LEDs

#### Color Consistency:

7-step MacAdam Ellipse binning to achieve consistent fixture-to-fixture color.

#### Color Stability:

LED color temperature is warranted to shift no more than 200K in CCT over a 5 year period.

#### Color Uniformity:

RAB's range of CCT (Correlated Color Temperature) follows the guidelines of the American National Standard for Specifications for the Chromaticity of Solid State Lighting (SSL) Products, ANSI C78.377-2011.

### Construction

#### IES Classification:

The Type III distribution is ideal for roadway, general parking and other area lighting applications where a larger pool of lighting is required. It is intended to be located near the side of the area, allowing the light to project outward and fill the area.

#### IP Rating:

Ingress Protection rating of IP66 for dust and water.

#### Maximum Ambient Temperature:

Suitable for use in 40°C (104°F) ambient temperatures

#### Cold Weather Starting:

The minimum starting temperature is -40°C/-40°F

#### Thermal Management:

Superior thermal management with external Air-Flow fins.

#### Housing:

Die-cast aluminum housing, lens frame and mounting arm

#### Mounting:

Heavy-duty mounting arm with "O" ring seal & stainless steel screws

#### Reflector:

Specular vacuum-metallized polycarbonate

#### Gaskets:

High-temperature silicone gaskets

#### Finish:

Our environmentally friendly polyester powder coatings are formulated for high-durability and long-lasting color, and contains no VOC or toxic heavy metals.

#### Green Technology:

Mercury and UV free. RoHS compliant components. Polyester powder coat finish formulated without the use of VOC or toxic heavy metals.

#### For use on LEED Buildings:

IDA Dark Sky Approval means that this fixture can be used to achieve LEED Credits for Light Pollution Reduction.

### Other

#### California Title 24:

WPLED3T125/PCS2 complies with 2013 California Title 24 building and electrical codes as a commercial outdoor pole-mounted fixture > 30 Watts mounted at height greater than 24 feet. For mounting heights < 24 feet see WPLED3T125/BL with bi-level operation; additional component requirements will be listed in the Title 24 section under technical specifications on the product page.

#### Warranty:

RAB warrants that our LED products will be free from defects in materials and workmanship for a period of five (5) years from the date of delivery to the end user, including coverage of light output, color stability, driver performance and fixture finish.

#### Patents:

The design of WPLED125 is protected by patents pending in US, Canada, China, Taiwan and Mexico.

## Technical Specifications (continued)

### Other

#### Country of Origin:

Designed by RAB in New Jersey and assembled in the USA by RAB's IBEW Local 3 workers.

#### Buy American Act Compliant:

This product is a COTS item manufactured in the United States, and is compliant with the Buy American Act.

#### Recovery Act (ARRA) Compliant:

This product complies with the 52.225-21 "Required Use of American Iron, Steel, and Manufactured Goods-- Buy American Act-- Construction Materials (October 2010).

#### Trade Agreements Act Compliant:

This product is a COTS item manufactured in the United States, and is compliant with the Trade Agreements Act.

#### GSA Schedule:

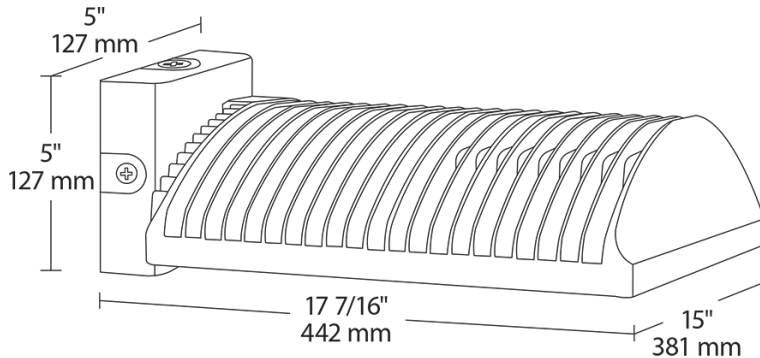
Suitable in accordance with FAR Subpart 25.4.

#### Optical

#### BUG Rating:

B1 U0 G2

### Dimensions



### Features

- High output, high efficiency LED
- Maintains 70% of initial lumens at 100,000 hours
- Weatherproof high temperature silicone gaskets
- Superior heat sinking with die cast aluminum housing and external fins
- 100 up to 277 Volts
- 5-year warranty

### Ordering Matrix

| Family | Distribution  | Watts | Color Temp | Mount     | Finish  | Voltage  | Photocell      | Dimming  | Sensor                                     | Bi-Level  |
|--------|---------------|-------|------------|-----------|---------|----------|----------------|----------|--------------------------------------------|-----------|
| WPLED  |               |       |            |           |         |          |                |          |                                            |           |
|        | 2T = Type II  | 125 = | Blank =    | Blank =   | Blank = | Blank =  | Blank =        | Blank =  | /WS4 =                                     | Blank =   |
|        | 3T = Type III | 125W  | 5000K      | Standard  | Bronze  | 120-277V | No             | No       | Multi-Level Motion Sensor (Only            | No        |
|        | 4T = Type IV  |       | (Cool)     | FX = Flat | W =     | /480 =   | PC = 120V      | /D10 =   | available for 120-277V with /D10 for 125W) | Bi-Level  |
|        |               |       | Y = 3000K  | Wall      | White   | 480V     | Button         | Dimmable |                                            | /BL = Bi- |
|        |               |       | (Warm)     |           |         |          | /PC2 = 277     |          |                                            | Level     |
|        |               |       | N = 4000K  |           |         |          | Button         |          |                                            |           |
|        |               |       | (Neutral)  |           |         |          | /PCS = 120V    |          |                                            |           |
|        |               |       |            |           |         |          | Swivel         |          |                                            |           |
|        |               |       |            |           |         |          | /PCS2 = 277V   |          |                                            |           |
|        |               |       |            |           |         |          | Swivel         |          |                                            |           |
|        |               |       |            |           |         |          | /PCT = 120-    |          |                                            |           |
|        |               |       |            |           |         |          | 277V Twistlock |          |                                            |           |
|        |               |       |            |           |         |          | /PCS4 = 480V   |          |                                            |           |
|        |               |       |            |           |         |          | Swivel         |          |                                            |           |
|        |               |       |            |           |         |          | /PCT4 = 480V   |          |                                            |           |
|        |               |       |            |           |         |          | Twistlock      |          |                                            |           |