



LED 52W Wallpacks. 3 cutoff options. Patent Pending thermal management system. 100,000 hour L70 lifespan. 5 Year Warranty.

Color: White

Weight: 17.6 lbs

**Project:**

**Type:**

**Prepared By:**

**Date:**

**Driver Info**

Type: Constant Current  
 120V: 0.51A  
 208V: 0.33A  
 240V: 0.29A  
 277V: 0.24A  
 Input Watts: 58W  
 Efficiency: 89%

**LED Info**

Watts: 52W  
 Color Temp: 3000K  
 Color Accuracy: 80 CRI  
 L70 Lifespan: 100000  
 Lumens: 4,436  
 Efficacy: 76 LPW

## Technical Specifications

**Listings**

**UL Listing:**

Suitable for wet locations.

**IESNA LM-79 & IESNA LM-80 Testing:**

RAB LED luminaires have been tested by an independent laboratory in accordance with IESNA LM-79 and 80, and have received the Department of Energy "Lighting Facts" label.

**Dark Sky Approved:**

The International Dark Sky Association has approved this product as a full cutoff, fully shielded luminaire.

**DLC Listed:**

This product is on the Design Lights Consortium (DLC) Qualified Products List and is eligible for rebates from DLC Member Utilities.  
 DLC Product Code: P0000173C

**Optical**

**Lumen Maintenance:**

100,000-hour LED lifespan based on IES LM-80 results and TM-21 calculations.

**Replacement:**

The WPLEDFC52 replaces 250W HID Wallpacks.

**BUG Rating:**

B1 U0 G1

**LED Characteristics**

**LEDs:**

Two (2) multi-chip, high-output, long-life LEDs.

**Color Consistency:**

3-step MacAdam Ellipse binning to achieve consistent fixture-to-fixture color.

**Color Stability:**

LED color temperature is warranted to shift no more than 200K in CCT over a 5 year period.

**Color Uniformity:**

RAB's range of CCT (Correlated Color Temperature) follows the guidelines of the American National Standard for Specifications for the Chromaticity of Solid State Lighting (SSL) Products, ANSI C78.377-2011.

**Electrical**

**Drivers:**

Two drivers, constant current, 720mA, Class 2, 100 - 277V, 50 - 60 Hz, 100 - 277VAC .8 Amps.

**THD:**

8.1% at 120V, 10.8% at 277V

**Surge Protection:**

6kV

**Construction**

**Ambient Temperature:**

Suitable for use in 40°C ambient temperatures.

**Cold Weather Starting:**

The minimum starting temperature is -40°C/-40°F

**Thermal Management:**

Cast aluminum Thermal Management system for optimal heat sinking. The WPLED is designed for cool operation, most efficient output and maximum LED life by minimizing LED junction temperature.

**Housing:**

Precision die cast aluminum housing, lens frame.

**Mounting:**

Die-cast aluminum wall bracket with (5) 1/2" conduit openings with plugs. Two-piece bracket with tether for ease of installation and wiring.

**Arm:**

Die-cast aluminum with wiring access plate.

**Cutoff:**

Full cutoff (0°)

**Reflector:**

Specular vacuum-metallized polycarbonate

**Gaskets:**

High temperature silicone.

**Lens:**

Tempered glass

**Finish:**

Our environmentally friendly polyester powder coatings are formulated for high-durability and long-lasting color, and contains no VOC or toxic heavy metals.

**Green Technology:**

Mercury and UV free. RoHS compliant components. Polyester powder coat finish formulated without the use of VOC or toxic heavy metals.

## Technical Specifications (continued)

### Construction

#### For use on LEED Buildings:

IDA Dark Sky Approval means that this fixture can be used to achieve LEED Credits for Light Pollution Reduction.

#### Other

#### California Title 24:

See WPLEDFC52/BL for a 2013 California Title 24 compliant product. Any additional component requirements will be listed in the Title 24 section under technical specifications on the product page.

#### Warranty:

RAB warrants that our LED products will be free from defects in materials and workmanship for a period of five (5) years from the date of delivery to the end user, including coverage of light output, color stability, driver performance and fixture finish.

#### Patents:

The WPLED design is protected by patents in the U.S. Pat D653,377, Canada Pat. 142252, China Pat. ZL201130356930.8, and Mexico Pat. 36921 and pending patent in TW.

#### Country of Origin:

Designed by RAB in New Jersey and assembled in the USA by RAB's IBEW Local 3 workers.

#### Buy American Act Compliant:

This product is a COTS item manufactured in the United States, and is compliant with the Buy American Act.

#### Recovery Act (ARRA) Compliant:

This product complies with the 52.225-21 "Required Use of American Iron, Steel, and Manufactured Goods-- Buy American Act-- Construction Materials (October 2010).

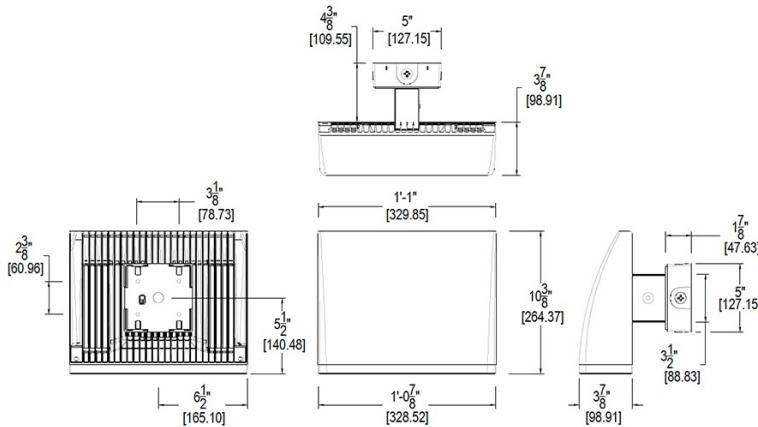
#### Trade Agreements Act Compliant:

This product is a COTS item manufactured in the United States, and is compliant with the Trade Agreements Act.

#### GSA Schedule:

Suitable in accordance with FAR Subpart 25.4.

## Dimensions



## Features

- High performance LED light engine
- Maintains 70% of initial lumens at 100,000 hours
- Weatherproof high temperature silicone gaskets
- Superior heat sinking with die cast aluminum housing and external fins
- Replaces 250W MH
- Traditional wallpack look from the front
- 3 cutoff options
- 5-year warranty

## Ordering Matrix

Family	Cutoff	Watts	Color Temp	Finish	Voltage	Photocell	Bi-Level	Dimming
WPLED	Blank = Standard (15°) C = Cutoff (7.5°) FC = Full Cutoff (0°)	52 = 52W	Blank = 5000K (Cool) Y = 3000K (Warm) N = 4000K (Neutral)	Blank = Bronze W = White	Blank = 120-277V /480 = 480V	Blank = Photocell /PCS = 120V Swivel /PCS2 = 277V Swivel /PCS4 = 480V Swivel	Blank = No Bi-Level /BL = Bi-Level (Only 120-277V)	Blank = No Dimming /D10 = Dimmable (Only 120-277V)