



LED 5W Wallpacks. Patent Pending thermal management system. 100,000 hour L70 lifespan. 5 Year Warranty.

Color: White

Weight: 1.6 lbs

**Project:**

**Type:**

**Prepared By:**

**Date:**

**Driver Info**

Type: Constant Current  
 120V: 0.18A  
 208V: 0.18A  
 240V: 0.18A  
 277V: N/A  
 Input Watts: 5W  
 Efficiency: 96%

**LED Info**

Watts: 5W  
 Color Temp: 5000K  
 Color Accuracy: 68 CRI  
 L70 Lifespan: 100000  
 Lumens: 213  
 Efficacy: 41 LPW

## Technical Specifications

### Listings

**UL Listing:**

Suitable for wet locations in downlight position only. Suitable for mounting within 1.2m (4ft) of the ground.

**IESNA LM-79 & IESNA LM-80 Testing:**

RAB LED luminaires have been tested by an independent laboratory in accordance with IESNA LM-79 and 80, and have received the Department of Energy "Lighting Facts" label.

### LED Characteristics

**Lifespan:**

100,000-hour LED lifespan based on IES LM-80 results and TM-21 calculations.

**LEDs:**

5W, high-output, long-life LED.

**Color Accuracy:**

68 CRI

**Color Temperature (Nominal CCT):**

5000K

**Color Consistency:**

7-step MacAdam Ellipse binning to achieve consistent fixture-to-fixture color.

**Color Stability:**

LED color temperature is warrantied to shift no more than 200K in CCT over a 5 year period.

**Color Uniformity:**

RAB's range of CCT (Correlated Color Temperature) follows the guidelines of the American National Standard for Specifications for the Chromaticity of Solid State Lighting (SSL) Products, ANSI C78.377-2011.

### Other

**Patents:**

The WPLED design is protected by patents pending in the U.S., Canada, China, Taiwan and Mexico.

**Equivalency:**

The WPLED5 is Equivalent in delivered lumens to a 13W CFL or 60W incandescent.

**California Title 24:**

See WPLEDR5/PCS for a 2013 California Title 24 compliant model.

**Warranty:**

RAB warrants that our LED products will be free from defects in materials and workmanship for a period of five (5) years from the date of delivery to the end user, including coverage of light output, color stability, driver performance and fixture finish.

**ADA:**

WPLEDR5 meets the requirements of the Americans with Disabilities Act (ADA).

**Country of Origin:**

Designed by RAB in New Jersey and assembled in the USA by RAB's IBEW Local 3 workers.

**Buy American Act Compliant:**

This product is a COTS item manufactured in the United States, and is compliant with the Buy American Act.

**Recovery Act (ARRA) Compliant:**

This product complies with the 52.225-21 "Required Use of American Iron, Steel, and Manufactured Goods-- Buy American Act-- Construction Materials (October 2010).

**Trade Agreements Act Compliant:**

This product is a COTS item manufactured in the United States, and is compliant with the Trade Agreements Act.

**GSA Schedule:**

Suitable in accordance with FAR Subpart 25.4.

### Electrical

**Drivers:**

Constant current, Class 2, 100 - 240VAC, 50 - 60 Hz, 0.18 Amps.

**Surge Protection:**

1 KV

### Optical

**Fixture Efficacy:**

41 Lumens per Watt

### Construction

**Ambient Temperature:**

Suitable for use in 40°C ambient temperatures.

**Cold Weather Starting:**

The minimum starting temperature is -40°C/-40°F

**Thermal Management:**

Integral cast aluminum mounting pad for optimum heat sinking to ensure cool operation with maximum LED life and light output.

**Housing:**

Precision die cast aluminum housing and mounting plate. 1 1/2" backbox with three 1/2" conduit entry points.

## Technical Specifications (continued)

### Construction

#### Gaskets:

High temperature silicone gaskets.

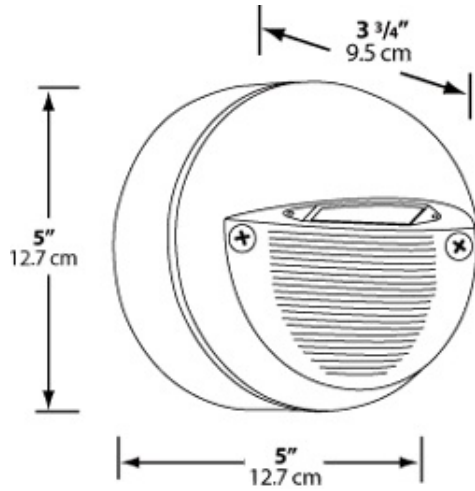
#### Finish:

Our environmentally friendly polyester powder coatings are formulated for high-durability and long-lasting color, and contains no VOC or toxic heavy metals.

#### Green Technology:

Mercury and UV free. RoHS compliant components. Polyester powder coat finish formulated without the use of VOC or toxic heavy metals.

## Dimensions



## Features

- High performance LED light engine
- Maintains 70% of initial lumens at 100,000 hours
- Weatherproof high temperature silicone gaskets
- Superior heat sinking with die cast aluminum housing and external fins
- Replaces 13W CFL or 60W Incandescent
- 100 up to 240 Volts
- 5-year warranty

## Ordering Matrix

Family	Shape	Watts	Color Temp	Finish	Photocell
WPLED	Blank = Square R = Round	5 = 5W	Blank = 5000K (Cool) Y = 3000K (Warm) N = 4000K (Neutral)	Blank = Bronze W = White	Blank = No Photocell /PCS = 120V Swivel