



Tallpack in 28 & 42 Watt compact fluorescent with built-in mini sensor for motion activated operation. Vandal resistant polycarbonate housing. Sensor has 180° detection and controls up to 250 Watts @ 120v. Minimum starting temperature -20°F for 28w, 0°F for 42w. Lamp supplied.

Color: White

Weight: 7.3 lbs

<b>Project:</b>	<b>Type:</b>
<b>Prepared By:</b>	<b>Date:</b>

Lamp Info		Ballast Info	
Type:	42W Triple	Type:	Electronic QT
Watts:	42W	120V:	0.38A
Shape/Size:	N/A	208V:	N/A
Base:	N/A	240V:	N/A
ANSI:	N/A	277V:	N/A
Hours:	12,000	Input Watts:	46W
Lamp Lumens:	3,200	Efficiency:	91%
Efficacy:	70 LPW		

**Technical Specifications**

**Listings**

**UL Listing:**

Suitable for wet locations.

**Electrical**

**Voltage:**

120 volts AC 60 Hz.

**Surge Protection:**

Withstands up to 3000 volts.

**Manual Override:**

Double flip wall switch logic prevents activation by short power outages. Resets after 8 hours. No extra wiring needed.

**Switching Capacity:**

Controls up to 250 watts Fluorescent @ 120 volts.

**Sensor Characteristics**

**Time Adjustment:**

5 seconds to 15 minutes CFL lamps have longer life if Time Adjustment is set to > 7 minutes.

**Quick Test Time:**

5 seconds test time for fast installation. Works day or night.

**Detection:**

180° detection.

**Other**

**"No Hands" Auto Testing:**

Auto mode starts after 4 minutes of testing. No adjustment needed.

**Sensor Case Construction:**

Precision molded Lexan.

**Photocontrol:**

Deactivates lights during daylight. Fully adjustable for 24 hour operation or custom applications. Please specify voltage.

**Country of Origin:**

Designed by RAB in New Jersey and assembled in the USA by RAB's IBEW Local 3 workers.

**Buy American Act Compliant:**

This product is a COTS item manufactured in the United States, and is compliant with the Buy American Act.

**Recovery Act (ARRA) Compliant:**

This product complies with the 52.225-21 "Required Use of American Iron, Steel, and Manufactured Goods-- Buy American Act-- Construction Materials (October 2010).

**Trade Agreements Act Compliant:**

This product is a COTS item manufactured in the United States, and is compliant with the Trade Agreements Act.

**GSA Schedule:**

Suitable in accordance with FAR Subpart 25.4.

**Construction**

**Vandal Resistant Lens:**

Hard lens resists vandalism.

**Built for Severe Conditions:**

Double weatherproofing for long life.

**Housing:**

Vandal resistant polycarbonate housing.

**Ballast Minimum Starting Temperature:**

0°F.

**LED Characteristics**

**LED Detection Indicator:**

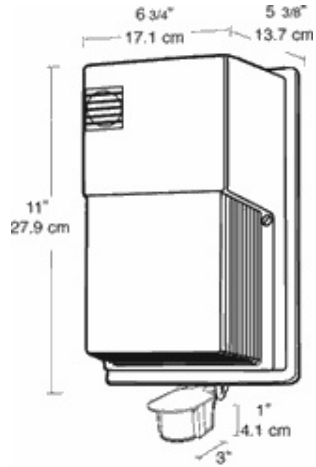
Glowes red day and night for "on-guard" deterrence.

**Optical**

**Refractor:**

Prismatic polycarbonate refractor for wide light distribution.

## Dimensions



## Features

- Precision die cast aluminum housing with durable polyester powder coating
- Cutoff and standard Wallpacks
- LED "on guard" indicator
- Can be wired in parallel
- Adjustable mini sensor with 180° detection pattern
- Sensor color matches fixture
- Vandal proof fixtures offer sensor controlled compact fluorescent up to 96 Watts