



HPS "Tall" Wallpack. Vandal resistant polycarbonate housing. Heavy die-cast aluminum back plate with 1/2" bottom and back conduit knockout. Factory installed 120V photocell with bypass cap included. Glare shield included. Lamp supplied.

Color: Bronze

Weight: 6.0 lbs

|                     |              |
|---------------------|--------------|
| <b>Project:</b>     | <b>Type:</b> |
| <b>Prepared By:</b> | <b>Date:</b> |

| Lamp Info    |        | Ballast Info |            |
|--------------|--------|--------------|------------|
| Type:        | ED17   | Type:        | R-NPF 120V |
| Watts:       | 35W    | 120V:        | 1.4/0.9A   |
| Shape/Size:  | N/A    | 208V:        | N/A        |
| Base:        | N/A    | 240V:        | N/A        |
| ANSI:        | N/A    | 277V:        | N/A        |
| Hours:       | 24,000 | Input Watts: | 46W        |
| Lamp Lumens: | 2,250  | Efficiency:  | 76%        |
| Efficacy:    | 49 LPW |              |            |

### Technical Specifications

#### Listings

##### cUL Listing:

Suitable for wet locations.

#### Construction

##### Reflector:

Die formed aluminum for wide light distribution. Moveable Glare Shield for field adjustable light control slanted slightly downward for more light on the job.

##### Housing and Refractor:

Vandal resistant polycarbonate molded refractor. Die cast aluminum back plate.

#### Electrical

##### Ballast Housing:

Stamped steel painted white.

#### Other

##### Back Plate:

Heavy die cast aluminum. 1/2" bottom conduit knockout. Knockouts for mounting to 3" or 4" junction boxes.

##### Patents:

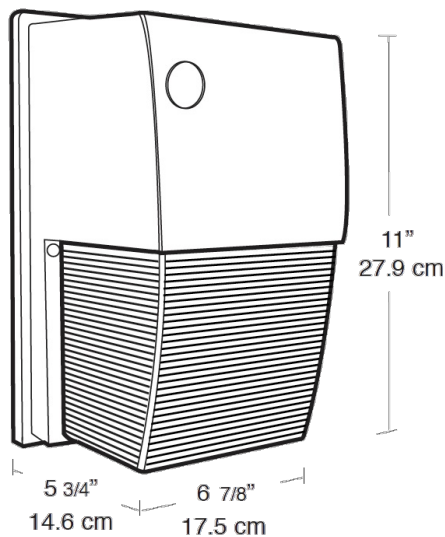
The unique RC Tallpack is protected by Canada Patent D121,993, U.S. Patent D569,029; China Patent ZL200730149211.2; Taiwan Patent D124,864.

#### Optical

##### BUG Rating:

B0 U3 G2

### Dimensions



### Features

- Heavy, die cast aluminum back plate with box mounting template
- Shades work great with tallpacks!
- 1/2" bottom conduit knockout
- Packaging has product features, ballast and lamp specifications
- Lighting layout photometrics and installation instructions are available