



Ultra-economy field adjustable X17 is available in three sizes and a total of 6 lumen packages, all with a wide 7H x 6V NEMA distribution that makes them the optimal floodlight for a large variety of general-purpose applications. 0-10V dimming is standard on all models.Ê

Color: White

Weight: 10.0 lbs

Project:

Type:

Prepared By:

Date:

Driver Info

| | |
|-------------|--------------------|
| Type | Constant Current |
| 120V | 1.40A |
| 208V | 0.75A |
| 240V | 0.65A |
| 277V | 0.55A |
| Input Watts | 139.9/135.4/140.2W |

LED Info

| | |
|----------------|------------------------|
| Watts | 140W |
| Color Temp | 3000K/4000K/5000K |
| Color Accuracy | 83/85/84 CRI |
| L70 Lifespan | 100,000 Hours |
| Lumens | 17894/19158/18672 |
| Efficacy | 127.9/141.5/133.1 lm/W |

Technical Specifications

Field Adjustability

Field Adjustable:

Color temperature selectable by 3000K, 4000K and 5000K

Compliance

UL Listed:

Suitable for wet locations

IESNA LM-79 & LM-80 Testing:

RAB LED luminaires and LED components have been tested by an independent laboratory in accordance with IESNA LM-79 and LM-80.

DLC Listed:

This product is listed by Design Lights Consortium (DLC) as an ultra-efficient premium product that qualifies for the highest tier of rebates from DLC Member Utilities. Designed to meet DLC 5.1 requirements.
DLC Product Code: PLS5W3NH1KIV

Electrical

Driver:

Constant Current, Class 2, 120-277V, 50/60Hz, 120V: 1.40A, 208V: 0.75A, 240V: 0.65A, 277V: 0.55A

Dimming Driver:

Driver includes wiring for 0-10V dimming systems. Dim as low as 10%.

THD:

3.85% at 120V, 9.13% at 277V

Power Factor:

99.9% at 120V, 93.2% at 277V

Photocell:

120-277V Integrated button selectable photocell included that can be turned on and off. Photocell is compatible with 120V-277V.

Note:

All values are typical (tolerance +/- 10%)

LED Characteristics

LEDs:

Long-life, high-efficacy, surface-mount LEDs

Color Uniformity:

RAB's range of Correlated Color Temperature follows the guidelines of the American National Standard for Specifications for the Chromaticity of Solid State Lighting (SSL) Products, ANSI C78.377-2017.

Construction

IP Rating:

Ingress protection rating of IP65 for dust and water

Cold Weather Starting:

Minimum starting temperature is -40°C (-40°F)

Technical Specifications (continued)

Construction

Maximum Ambient Temperature:

Suitable for use in up to 40°C (104°F)

Housing:

Precision die-cast aluminum

Mounting:

Heavy-duty Trunnion mount with stainless steel hardware

Effective Projected Area:

EPA = 1.05

Lens:

Tempered glass

Reflector:

Polycarbonate

Finish:

Formulated for high durability and long-lasting color

Green Technology:

Mercury and UV free. RoHS-compliant components.

Optical

NEMA Type:

NEMA Beam Spread of 7H x 7V

Other

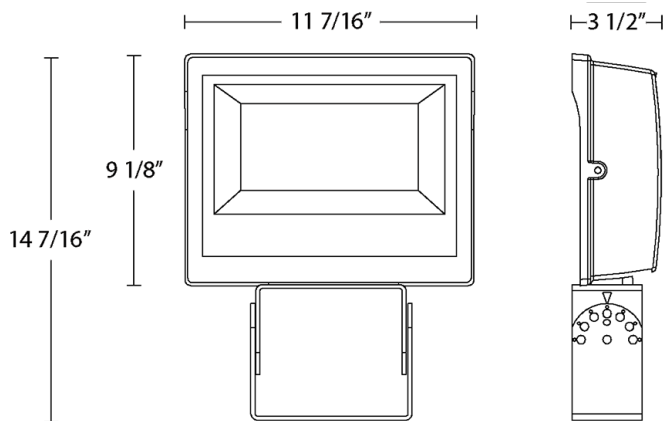
5 Yr Limited Warranty:

The RAB 5-year, limited warranty covers light output, driver performance and paint finish. RAB's warranty is subject to all terms and conditions found at rablighting.com/warranty.

Buy American Act Compliance:

RAB values USA manufacturing! Upon request, RAB may be able to manufacture this product to be compliant with the Buy American Act (BAA). Please contact customer service to request a quote for the product to be made BAA compliant.

Dimensions



Features

- DLC Premium listed
- IP65 Rated
- 100,000-Hour LED lifespan
- 5-Year, Limited Warranty

Ordering Matrix

| Family | Wattage | Mounting | Finish | Voltage |
|--------|---------|----------|--------|---------|
| X17FA | 140 | T | W | |

15 = 15W
35 = 35W
60 = 60W
80 = 80W
105 = 105W
140 = 140W

Blank = Knuckle *
SF = Slipfitter **
T = Trunnion **

Blank = Bronze
W = White

Blank = 120-277V
/480 = 480V ***

** Slipfitter and trunnion mounts available for 60-140W only

** 60-80W fixtures with slipfitter or trunnion option will come with a factory-installed knuckle mount and a separate slipfitter or trunnion accessory

*** 480V available only in 140W models

All values are nominal with +/- 10% tolerance. See spec sheet for more details.