

Project:	Type:
Prepared By:	Date:

Driver Info		LED Info	
Type	Constant Current	Watts	35W
120V	0.35A	Color Temp	3000K/4000K/5000K
208V	0.20A	Color	83-85 CRI
240V	0.16A	Accuracy	
277V	0.14A	L70 Lifespan	100,000 Hours
Input Watts	14.8-35.9W	Lumens	1991-5034
		Efficacy	129.3-145.9 lm/W

Technical Specifications

Field Adjustability

3-Way Field Adjustable:

Field adjustable light output:
15W/25W/35W (factory default 35W)
Color temperature (selectable by 3000K, 4000K and 5000K)

Compliance

UL Listed:

Suitable for wet locations

IESNA LM-79 & LM-80 Testing:

RAB LED luminaires and LED components have been tested by an independent laboratory in accordance with IESNA LM-79 and LM-80.

DLC Listed:

This product is listed by Design Lights Consortium (DLC) as an ultra-efficient premium product that qualifies for the highest tier of rebates from DLC Member Utilities. Designed to meet DLC 5.1 requirements.
DLC Product Code: PB84WJPW

Electrical

Driver:

Constant Current, Class 2, 120-277V, 50/60Hz, 120V: 0.35A, 208V: 0.20A, 240V: 0.16A, 277V: 0.14A

Dimming Driver:

Driver includes wiring for 0-10V dimming systems.
Dim as low as 10%.

THD:

10.97% at 120V, 10.75% at 277V

Power Factor:

99.3% at 120V, 94.8% at 277V

Photocell:

120-277V selectable photocell that can be turned on and off.

Note:

All values are typical (tolerance +/- 10%)

LED Characteristics

LEDs:

Long-life, high-efficacy, surface-mount LEDs

Color Uniformity:

RAB's range of Correlated Color Temperature follows the guidelines of the American National Standard for Specifications for the Chromaticity of Solid State Lighting (SSL) Products, ANSI C78.377-2017.

Construction

IP Rating:

Ingress protection rating of IP65 for dust and water

Cold Weather Starting:

Minimum starting temperature is -40°C (-40°F)

Technical Specifications (continued)

Construction

Maximum Ambient Temperature:

Suitable for use in up to 40°C (104°F)

Housing:

Precision die-cast aluminum

Mounting:

Robust knuckle mount with 180° adjustable swivel arm. Tilt angle in 10° increments.

Lens:

Tempered glass

Reflector:

Polycarbonate

Finish:

Formulated for high durability and long-lasting color

Green Technology:

Mercury and UV free. RoHS-compliant components.

Optical

NEMA Type:

NEMA Beam Spread of 7H x 7V

Other

Shorting Cap:

Shorting Cap for Twistlock Receptacle

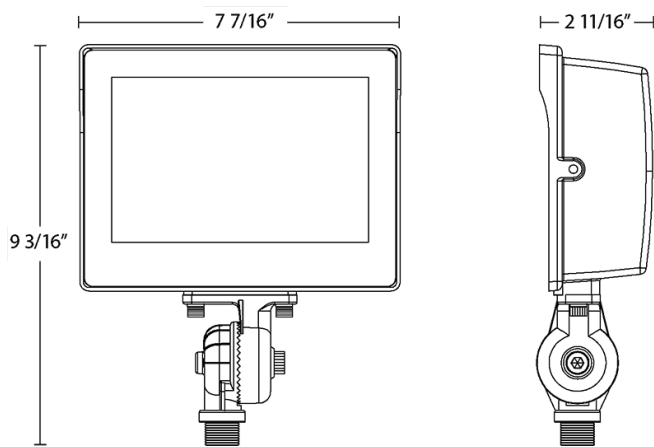
5 Yr Limited Warranty:

The RAB 5-year, limited warranty covers light output, driver performance and paint finish. RAB's warranty is subject to all terms and conditions found at rablighting.com/warranty.

Buy American Act Compliance:

RAB values USA manufacturing! Upon request, RAB may be able to manufacture this product to be compliant with the Buy American Act (BAA). Please contact customer service to request a quote for the product to be made BAA compliant.

Dimensions



Features

- 3-Way field adjustability
- 0-10V Dimming, standard
- 100,000-hour LED lifespan
- Selectable photocell (on/off) included
- 5-Year, Limited Warranty

Ordering Matrix

Family	Wattage	Color Temp	Mounting	Finish	Voltage	Options
X17XFU	35			W		
	35 = 35/25/15W ¹ 60 = 60/50/30W ² 80 = 80/60/40W ³	Blank = 3000/4000/5000K Selectable	Blank = Knuckle SF = Slipfitter T = Trunnion	Blank = Bronze W = White	Blank = 120-277V	Blank = Selectable photocell

¹ 35 model is available only in knuckle mount.

² 60 model is available in knuckle mount, slipfitter mount or trunnion mount.

³ 80 model is available in knuckle mount and slipfitter mount. Knuckle mount includes a trunnion kit.