



<b>Project:</b>	<b>Type:</b>
<b>Prepared By:</b>	<b>Date:</b>

Driver Info		LED Info	
Type	Constant Current	Watts	60W
120V	0.50A	Color Temp	3000K/4000K/5000K
208V	0.35A	Color	83-85 CRI
240V	0.28A	Accuracy	
277V	0.22A	L70 Lifespan	100,000 Hours
Input Watts	30-59.5W	Lumens	3891-8372
		Efficacy	129.7-146.4 lm/W

## Technical Specifications

### Field Adjustability

#### 3-Way Field Adjustable:

Field Adjustable Light Output:  
30W/50W/60W (factory default 60W)  
Color temperature (selectable by 3000K, 4000K and 5000K)

### Compliance

#### UL Listed:

Suitable for wet locations

#### IESNA LM-79 & LM-80 Testing:

RAB LED luminaires and LED components have been tested by an independent laboratory in accordance with IESNA LM-79 and LM-80.

#### DLC Listed:

This product is listed by Design Lights Consortium (DLC) as an ultra-efficient premium product that qualifies for the highest tier of rebates from DLC Member Utilities. Designed to meet DLC 5.1 requirements.  
DLC Product Code: PTG13VXA

### Electrical

#### Driver:

Constant Current, Class 2, 120-277V, 50/60Hz, 120V: 0.50A, 208V: 0.35A, 240V: 0.28A, 277V: 0.22A

### Dimming Driver:

Driver includes wiring for 0-10V dimming systems.  
Dim as low as 10%.

#### THD:

15.74% at 120V, 13.59% at 277V

#### Power Factor:

98.6% at 120V, 93.3% at 277V

#### Photocell:

120-277V selectable photocell that can be turned on and off.

#### Note:

All values are typical (tolerance +/- 10%)

### LED Characteristics

#### LEDs:

Long-life, high-efficacy, surface-mount LEDs

#### Color Uniformity:

RAB's range of Correlated Color Temperature follows the guidelines of the American National Standard for Specifications for the Chromaticity of Solid State Lighting (SSL) Products, ANSI C78.377-2017.

### Construction

#### IP Rating:

Ingress protection rating of IP65 for dust and water

#### Cold Weather Starting:

Minimum starting temperature is -40°C (-40°F)

## Technical Specifications (continued)

### Construction

**Maximum Ambient Temperature:**

Suitable for use in up to 40°C (104°F)

**Housing:**

Precision die-cast aluminum

**Mounting:**

Slipfitter with 180° pivot available for mounting on 2 3/8" tenon

**Lens:**

Tempered glass

**Reflector:**

Polycarbonate

**Effective Projected Area:**

EPA = 0.68

**Finish:**

Formulated for high durability and long-lasting color

**Green Technology:**

Mercury and UV free. RoHS-compliant components.

### Optical

**NEMA Type:**

NEMA Beam Spread of 7H x 7V

### Other

**Shorting Cap:**

Shorting Cap for Twistlock Receptacle

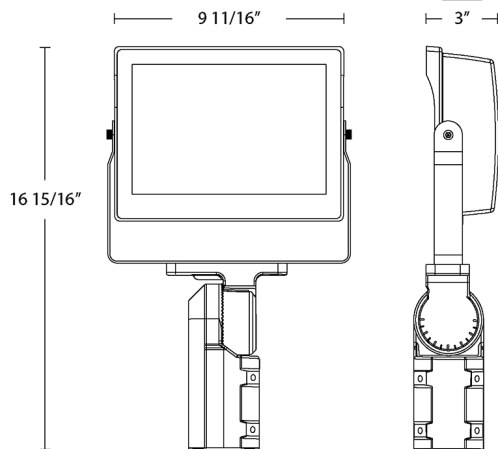
**5 Yr Limited Warranty:**

The RAB 5-year, limited warranty covers light output, driver performance and paint finish. RAB's warranty is subject to all terms and conditions found at [rablighting.com/warranty](http://rablighting.com/warranty).

**Buy American Act Compliance:**

RAB values USA manufacturing! Upon request, RAB may be able to manufacture this product to be compliant with the Buy American Act (BAA). Please contact customer service to request a quote for the product to be made BAA compliant.

## Dimensions



## Features

- 3-Way field adjustability
- 0-10V Dimming, standard
- 100,000-hour LED lifespan
- Selectable photocell (on/off) included
- 5-Year, Limited Warranty

## Ordering Matrix

Family	Wattage	Field Adjustability	Color Temp	Mounting	Finish	Voltage	Options
X17	XFU	60		SF	W		
	<b>35</b> = 35/25/15W <b>60</b> = 60/50/30W <b>80</b> = 80/60/40W <b>15</b> = 15W <b>35</b> = 35W <b>60</b> = 60W <b>80</b> = 80W <b>105</b> = 105W <b>140</b> = 140W <b>105</b> = 105/75/50W <b>140</b> = 140/100/70W <b>205</b> = 205/150/100W <b>330</b> = 330/250/170W	<b>XFU</b> = 3-Way Field Adjustable	<b>Blank</b> = 3000/4000/5000K Selectable	<b>Blank</b> = Knuckle <b>SF</b> = Slipfitter <b>T</b> = Trunnion	<b>Blank</b> = Bronze <b>W</b> = White	<b>Blank</b> = 120-277V / <b>480</b> = 480V	<b>Blank</b> = Selectable photocell