



General purpose lighting that's pocket friendly.

Color: Bronze

Weight: 10.4 lbs

**Project:**

**Type:**

**Prepared By:**

**Date:**

### Driver Info

Type	Constant Current
120V	1.3A
208V	0.8A
240V	0.7A
277V	0.6A
Input Watts	159.70W
Efficiency	N/A

### LED Info

Watts	160.00W
Color Temp	3000K (Warm)
Color Accuracy	82 CRI
L70 Lifespan	50,000
Lumens	19,544
Efficacy	122.4 LPW

## Technical Specifications

### Listings

#### UL Listed:

Suitable for wet locations. Suitable for ground mounting.

#### IESNA LM-79 & LM-80 Testing:

RAB LED luminaires and LED components have been tested by an independent laboratory in accordance with IESNA LM-79 and LM-80.

#### DLC Listed:

This product is on the Design Lights Consortium (DLC) Qualified Products List and is eligible for rebates from DLC Member Utilities. DLC Product Code: PUF SZMUK

### Electrical

#### Driver:

Constant Current, 120-277V, 50/60 Hz, 120V: 1.3A, 208V: 0.8A, 240V: 0.7A, 277V: 0.6A

#### Dimming Driver:

Driver includes wiring for 0-10V dimming systems. Dim as low as 10%.

#### THD:

6.3% at 120V, 8.8% at 277V

#### Power Factor:

99.7% at 120V, 98.8% at 277V

#### Note:

All values are typical (tolerance +/- 10%)

### Optical

#### NEMA Type:

NEMA Beam Spread of 7H x 7V

### LED Characteristics

#### LEDs:

Long-life, high-efficacy surface-mount LEDs

#### Lifespan:

50,000-hour LED lifespan based on IES LM-80 results and TM-21 calculations

#### Color Uniformity:

RAB's range of CCT (Correlated Color Temperature) follows the guidelines of the American National Standard for Specifications for the Chromaticity of Solid State Lighting (SSL) Products, ANSI C78.377-2017.

### Construction

#### IP Rating:

Ingress Protection rating of IP65 for dust and water

#### Cold Weather Starting:

Minimum starting temperature is -40°C (-40°F)

#### Maximum Ambient Temperature:

Suitable for use in 40°C (104°F)

#### Housing:

Precision die-cast aluminum

#### Mounting:

Trunnion with tilt angle in 30° increments

#### Lens:

Tempered glass

#### Finish:

Formulated for high durability and long-lasting color

## Technical Specifications (continued)

### Construction

#### Green Technology:

Mercury and UV free. RoHS-compliant components.

### Other

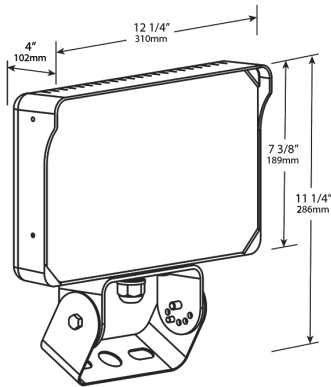
#### 5 Yr Limited Warranty:

The RAB 5-year, limited warranty covers light output, driver performance and paint finish. RAB's warranty is subject to all terms and conditions found at [rablighting.com/warranty](http://rablighting.com/warranty).

### Buy American Act Compliance:

RAB values USA manufacturing! Upon request, RAB may be able to manufacture this product to be compliant with the Buy American Act (BAA). Please contact customer service to request a quote for the product to be made BAA compliant.

## Dimensions



## Features

- Versatile, general-purpose floodlight
- 7H x 7V NEMA distribution
- 0-10V dimming
- IP65 rating protects against dust and water
- 50,000-Hour LED lifespan

## Ordering Matrix

Family	Lumen Packages (values are nominal)	Mounting	CRI/Color Temp	Driver/Voltage
X34	195L	T	-830	/U
	100L = 10,000 Lumens, 87W 150L = 15,000 Lumens, 130W 195L = 19,500 Lumens, 160W	SF = Slipfitter T = Trunnion	Blank = 80 CRI, 5000K -830 = 80 CRI, 3000K	/U = 120-277V, 0-10V Dimming