



Small, general purpose lighting that's pocket friendly.

Color: White

Weight: 3.4 lbs

**Project:**

**Type:**

**Prepared By:**

**Date:**

### Driver Info

|             |                  |
|-------------|------------------|
| Type        | Constant Current |
| 120V        | N/A              |
| 208V        | N/A              |
| 240V        | N/A              |
| 277V        | 0.24A            |
| Input Watts | 65.7W            |

### LED Info

|                |              |
|----------------|--------------|
| Watts          | 64W          |
| Color Temp     | 5000K (Cool) |
| Color Accuracy | 85 CRI       |
| L70 Lifespan   | 50,000 Hours |
| Lumens         | 7,167        |
| Efficacy       | 109.1 lm/W   |

## Technical Specifications

### Compliance

#### UL Listed:

Suitable for wet locations. Suitable for ground mounting.

#### IESNA LM-79 & LM-80 Testing:

RAB LED luminaires and LED components have been tested by an independent laboratory in accordance with IESNA LM-79 and LM-80.

#### DLC Listed:

This product is on the Design Lights Consortium (DLC) Qualified Products List and is eligible for rebates from DLC Member Utilities. Designed to meet DLC 5.1 requirements.

DLC Product Code: P5LGPZSS

### Electrical

#### Driver:

Constant Current, 277V, 60 Hz, 277V: 0.24A

#### THD:

14.45% at 277V

#### Power Factor:

99% at 277V

#### Stepped Dimming:

Integrated/embedded revise Phase-Cut stepped luminance-level dimming control. Ten discrete dimming steps plus off and full on are accomplished by modification of the voltage, current, and wave form to produce varying light output. Controller is remote located from fixture or junction box, or can be located by the electrical panel.

#### Surge Protection:

2kV

#### Note:

All values are typical (tolerance +/- 10%)

### Optical

#### NEMA Type:

NEMA Beam Spread of 7H x 7V

### LED Characteristics

#### LEDs:

Long-life, high-efficacy, surface-mount LEDs

#### Color Uniformity:

RAB's range of Correlated Color Temperature follows the guidelines of the American National Standard for Specifications for the Chromaticity of Solid State Lighting (SSL) Products, ANSI C78.377-2017.

### Performance

#### Lifespan:

50,000-Hour LED lifespan based on IES LM-80 results and TM-21 calculations

### Construction

#### IP Rating:

Ingress protection rating of IP65 for dust and water

## Technical Specifications (continued)

### Construction

#### Cold Weather Starting:

Minimum starting temperature is -40°C (-40°F)

#### Maximum Ambient Temperature:

Suitable for use in up to 40°C (104°F)

#### Housing:

Die-cast aluminum

#### Mounting:

Robust knuckle mount with 180° adjustable swivel arm. Tilt angle in 10° increments.

#### Lens:

Tempered glass

#### Finish:

Formulated for high durability and long-lasting color

#### Green Technology:

Mercury and UV free. RoHS-compliant components.

#### Other

#### Equivalency:

Equivalent to 250W Metal Halide

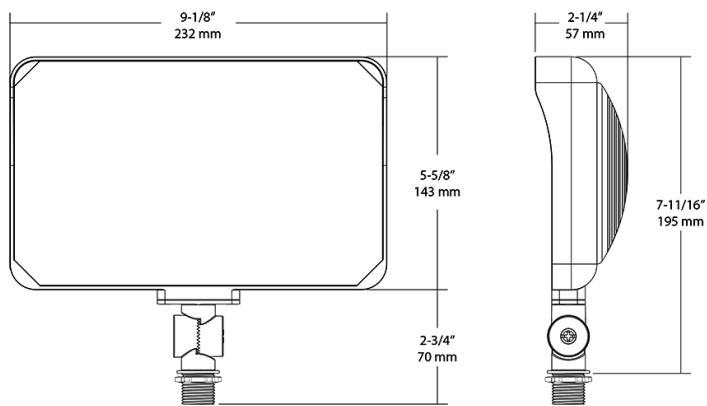
#### 5 Yr Limited Warranty:

The RAB 5-year, limited warranty covers light output, driver performance and paint finish. RAB's warranty is subject to all terms and conditions found at [rablighting.com/warranty](http://rablighting.com/warranty).

#### Buy American Act Compliance:

RAB values USA manufacturing! Upon request, RAB may be able to manufacture this product to be compliant with the Buy American Act (BAA). Please contact customer service to request a quote for the product to be made BAA compliant.

## Dimensions



## Features

- General purpose floodlight
- Very wide 7H x 7V NEMA distribution
- Low profile and lightweight
- IP65 rating protects against dust and water

## Ordering Matrix

| Family | Lumen Packages (values are nominal)   | Mounting              | CRI/Color Temp  | Finish                      | Driver/Voltage             |
|--------|---|-----------------------|---|-----------------------------|----------------------------|
| X34    | 65L   | Blank = Knuckle Mount | Blank = 80 CRI, 5000K<br>-840 = 80 CRI, 4000K<br>-830 = 80 CRI, 3000K | W                           | /277                       |
|        | 16L = 1,735 Lumens, 15W<br>25L = 2,950 Lumens, 25W<br>35L = 4,100 Lumens, 35W<br>55L = 6,300 Lumens, 55W<br>65L = 7,250 Lumens, 64W |                       |   | Blank = Bronze<br>W = White | /120 = 120V<br>/277 = 277V |