



High output LED yardblaster delivers enough light to hit the broad side of a barn. Durable finish withstands harsh environments.

Color: Silver gray

Weight: 12.8 lbs

Project:	Type:
Prepared By:	Date:

Driver Info		LED Info	
Type:	Constant Current	Watts:	40W
120V:	0.4A	Color Temp:	4000K
208V:	0.217A	Color Accuracy:	72 CRI
240V:	0.188A	L70 Lifespan:	100000
277V:	0.17A	Lumens:	5563
Input Watts:	42W	Efficacy:	132 LPW
Efficiency:	95%		

Technical Specifications

Listings

UL Listing:

Suitable for dry and wet locations

DLC Listed:

This product is listed by Design Lights Consortium (DLC) as an ultra-efficient premium product that qualifies for the highest tier of rebates from DLC Member Utilities.

DLC Product Code: P8WZ6P7F

IESNA LM-79 & LM-80 Testing:

RAB LED luminaires have been tested by an independent laboratory in accordance with IESNA LM-79 and LM-80, and have received the Department of Energy "Lighting Facts" label

Electrical

Driver:

Constant Current, Class 2, 120V-277V, 50/60 Hz, 1100mA, 120V: 0.4A, 208V: 0.217A, 240V: 0.188A, 277V: 0.17A

Dimming Driver:

Driver includes dimming control wiring for 0-10V dimming systems. Requires separate 0-10V DC dimming circuit. Dims as low as 10%.

THD:

6.7% at 120V, 9% at 277V

Power Factor:

99.7% at 120V, 89.1% at 277V

Surge Protection:

4 kV Line-Line, 6 kV Line-Earth

LED Characteristics

LEDs:

Long-life, high-efficiency, surface mount LEDs

Lifespan:

100,000-hour LED lifespan based on IES LM-80 results and TM-21 calculations

Color Stability:

LED color temperature is warranted to shift no more than 200K in CCT over a 5 year period

Color Uniformity:

RAB's range of CCT (Correlated Color Temperature) follows the guidelines of the American National Standard for Specifications for the Chromaticity of Solid State Lighting (SSL) Products, ANSI C78.377-2017.

Construction

IP Rating:

Ingress Protection rating of IP66 for dust and water

IES Classification:

The Type V distribution produces light in a wide and uniform 360° pattern that is perfect for large outdoor areas such as parking lots, corporate parks and retail settings

Cold Weather Starting:

Minimum starting temperature is -40°C (-40°F)

Housing:

Precision die-cast aluminum housing and arm

Mounting:

Mounts on pole

Reflector:

High-reflectance white paint

Lens:

Flat polycarbonate lens

Gaskets:

High-temperature silicone

Finish:

Formulated for high-durability and long lasting color

Green Technology:

Mercury and UV-free. RoHS compliant components. Polyester powder coat finish formulated without the use of VOCs or toxic heavy metals.

Optical

BUG Rating:

B2 U3 G2

Other

Patents:

The design of YBLED26 is protected by patents pending in US, Canada, China, Taiwan and Mexico

Photocell:

120-277V Button Photocell Included. Photocell is compatible with 120V-277V.

Replacement:

Replaces up to 175W Metal Halide and up to 100W High Pressure Sodium

Technical Specifications (continued)

Other

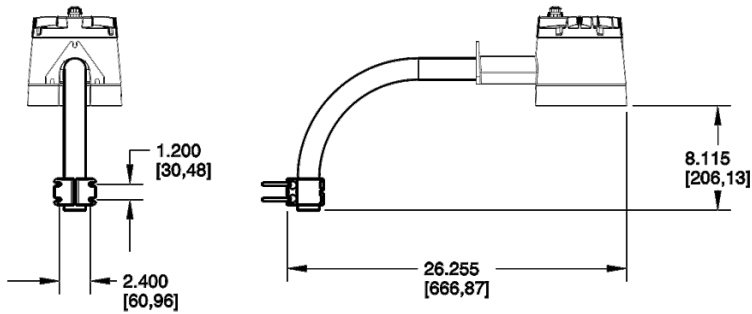
Warranty:

RAB warrants that our LED products will be free from defects in materials and workmanship for a period of five (5) years from the date of delivery to the end user, including coverage of light output, color stability, driver performance and fixture finish.

Buy American Act Compliance:

RAB values USA manufacturing! Upon request, RAB may be able to manufacture this product to be compliant with the Buy American Act (BAA). Please contact customer service to request a quote for the product to be made BAA compliant.

Dimensions



Features

- Widespread light distribution illuminates large areas
- Vandal-resistant
- High-impact polycarbonate lens
- Rugged die-cast aluminum housing withstands harsh environments
- 100,000-hour LED lifespan

Ordering Matrix

Family	Wattage	Color Temp	Mounting	Dimming	Control Options
YBLED	40	N	/ARM		/PCU
	60 = 60W 40 = 40W	Blank = 5000K (Cool) N = 4000K (Neutral) Y = 3000K (Warm)	Blank = Wall /ARM = Arm	Blank = No Dimming /D10 = 0-10V Dimming (Available with options /5PR or /LC only)	/PCU = PCU (Standard) /PCT = 120-277V Twistlock Photocell /5PR = 5-Pin Receptacle /LC = Lightcloud® Controller